



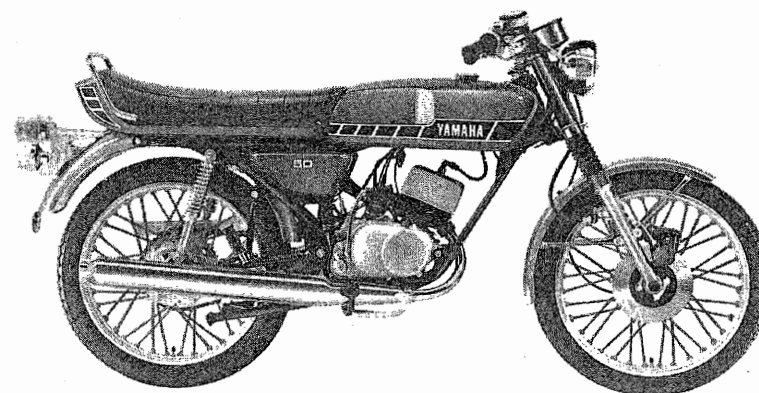
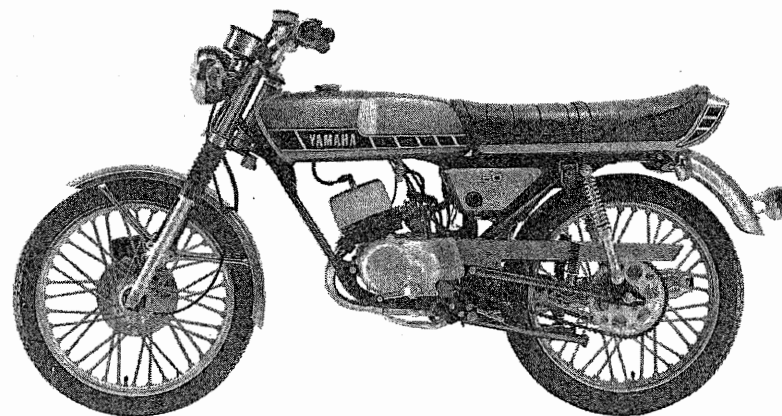
YAMAHA

PARTS LIST

MODEL **RD50** ('78)

(TYPE 2U1)

FOR EUROPE



(W. GERMANY)

YAMAHA MOTOR CO., LTD.

COPY RIGHT: ALL RIGHTS RESERVED

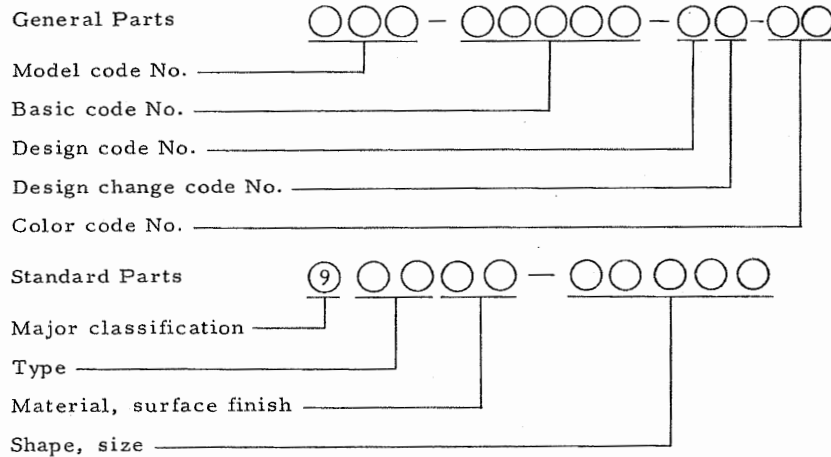
PART OF THIS PUBLICATION MAY BE REPRODUCED WITHOUT PERMISSION.

FOREWORD

The Parts List relates to the parts in use for the YAMAHA RD50('78).
 When you are ordering replacement parts for the RD50 ('78), refer to
 this Parts List and quote both part numbers and part names correctly.

1. Structure of Part No.

Yamaha parts are divided largely into two categories; general parts
 and standard parts, and each part No. has the following structure:



Note: Every standard No. begins with 9.

2. How to Use this Parts List

(1) Except for steel balls (whose size is indicated in inches), the
 size of all parts is indicated in millimeters in the following manner.

- Hose (rubber or vinyl) Inside diameter - length
- O-ring Section area - inside diameter
- Washer, shim, collar Inside diameter - outside diameter -
 thickness (length)

(2) Parts, which are to be supplied in the form of assemblies, are
 listed with an indention of one letter's space, and a dot (.) is put

against the name of each part. If any two different assemblies (e. g., right and left side components) consist of almost the same type components, these two assemblies are listed in two lines, and then the names of component parts are listed in the subsequent lines with an indentation as mentioned earlier. The quantity of parts is given in the following manner; that is, in the case of parts being the same in type between the right and left, a total quantity of parts is given. On the other hand, if the right and left side parts are different in type, the quantity of part(s) on each side is given.

Example

Description	Q'ty
CARBURETOR ASS'Y, left	1
CARBURETOR ASS'Y, right	1
. JET, pilot	2
. NOZZLE, main	2
⋮	
⋮	
⋮	
. LEVER, starter, left	1
. LEVER, starter, right	1

(3) Key to Symbols

- U. R. Use size (thickness) and/or number as required
- U. N. Use as many as you need
- T Number of teeth in a gear
- V Voltage for light bulbs
- S "S" type oil seal or "S" type circlip
- SD "SD" type oil seal
- SO "SO" type oil seal
- SW "SW" type oil seal
- E "E" type circlip
- R "R" type circlip
- F/No. Frame No. (Applicable machine No.)

- (4) The parts marked with "X" in your country column are exclusive for your country, therefore, you should place an order only those parts. Meanwhile, the other parts are common for all European countries, and then we do not mention the names of countries.
- (5) Please be advised that we supply you with Head Lamp Unit Ass'y, Tail Lamp Unit Ass'y and Flasher Lamp Ass'y without bulbs.
- (6) The right and left in relation to parts are determined on the basis of the rider facing toward the front.
- (7) This Parts List is based on the model in the production line on Jan., 10, 1978. Accordingly, if any modifications which have been made to parts will be announced in the Yamaha Parts News. It is advisable that according to the Yamaha Parts News, You will make necessary corrections to the Part List on hand to keep it up-to dated.

CONTENTS

ENGINE

Fig. 1	Crankcase · Cylinder	1
Fig. 2	Crankcase Cover	3
Fig. 3	Crank · Piston	5
Fig. 4	Clutch	7
Fig. 5	Transmission	9
Fig. 6	Shifter 1	13
Fig. 7	Shifter 2	15
Fig. 8	Kick Starter	17
Fig. 9	Tachometer Gear	19
Fig. 10	Intake	21
Fig. 11	Carburetor	23
Fig. 12	Exhaust	27
Fig. 13	Oil Pump	29
Fig. 14	Flywheel Magneto	33

CHASSIS

Fig. 15	Frame · Side Cover	37
Fig. 16	Rear Arm · Rear Cushion · Chain Case	39
Fig. 17	Stand · Footrest · Brake Pedal	41
Fig. 18	Front Fender · Rear Fender	43
Fig. 19	Front Fork	45
Fig. 20	Steering	49
Fig. 21	Handle · Wire	51
Fig. 22	Master Cylinder Brake Hose	55
Fig. 23	Fuel Tank	57
Fig. 24	Oil Tank	59
Fig. 25	Seat	61
Fig. 26	Front Wheel	65
Fig. 27	Disk Brake · Caliper	69

Fig. 28	Rear Wheel	71
Fig. 29	Head Lamp	75
Fig. 30	Speedometer · Tachometer	77
Fig. 31	Tail Lamp	79
Fig. 32	Flasher Lamp	83
Fig. 33	Electrical	87

OPTIONAL PARTS

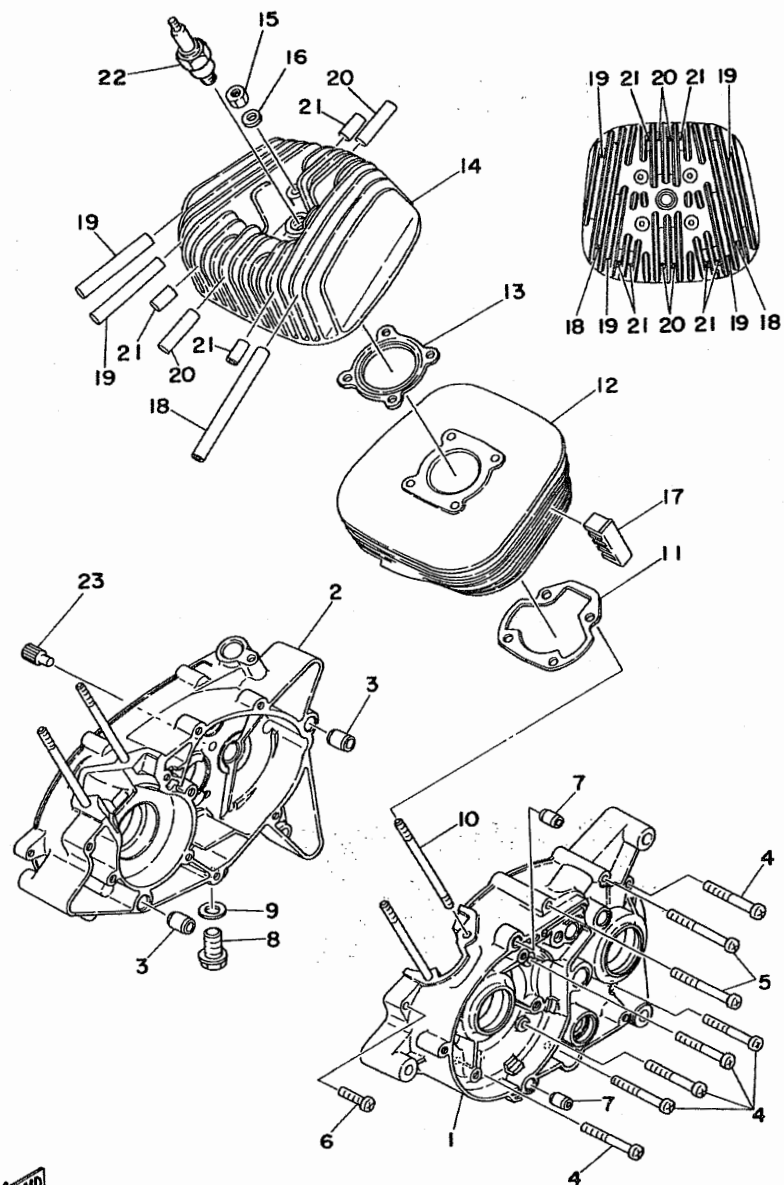
Fig. 34	Repair Kit	93
---------	------------------	----

NUMERICAL INDEX

ENGINE

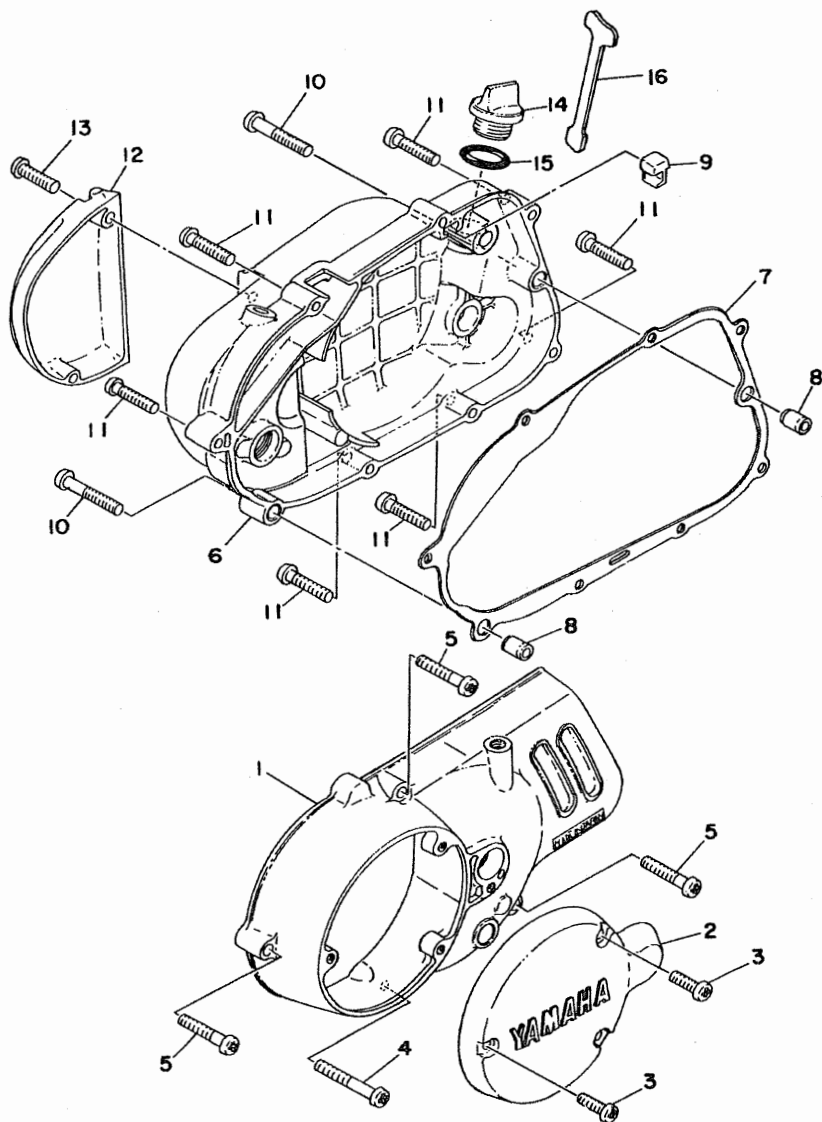


Fig. 1 CRANKCASE · CYLINDER



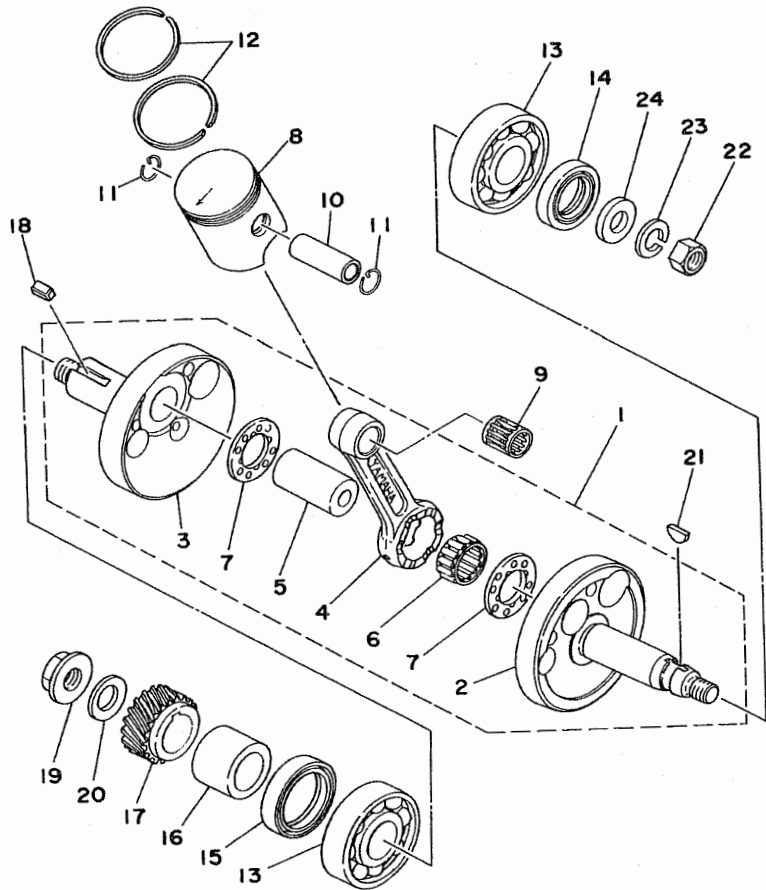
Ref. No.	Part No.	Description	Q'ty	Applicable Machine No.	Remarks
1- 1	420-15111-00	CASE, crank left	1		
1- 2	420-15121-02	CASE, crank right	1		
1- 3	91830-22016	PIN, dowel (8.4-12-16)	2		
1- 4	92501-06050	SCREW, panhead	8		
1- 5	92501-06055	SCREW, panhead	2		
1- 6	92501-06025	SCREW, panhead	1		
1- 7	91830-21014	PIN, dowel (6.4-10-14)	2		
1- 8	90340-12005	PLUG, drain (132-15351-00)	1		
1- 9	90430-12038	GASKET, drain plug (132-15353-00)	1		
1-10	90116-06026	BOLT, stud (109-11361-00)	4		
1-11	420-11351-00	GASKET, cylinder	1		
1-12	420-11311-00	CYLINDER	1		
1-13	517-11181-00	GASKET, cylinder head	1		
1-14	420-11111-00-94	HEAD, cylinder	1		
1-15	95301-06600	NUT, hexagon	4		
1-16	92901-06200	WASHER, plain	4		
1-17	420-11161-00	ABSORBER 1	4		
1-18	420-11162-00	ABSORBER 2 (5-9-105)	2		
1-19	420-11127-00	ABSORBER 3 (5-9-68)	4		
1-20	420-11128-00	ABSORBER 4 (5-9-40)	4		
1-21	420-11129-00	ABSORBER 5 (5-9-17)	6		
1-22	94701-00041	PLUG, spark (B-8HS)	1		
1-23	492-15387-00	STOPPER	1		

Fig. 2 CRANKCASE COVER



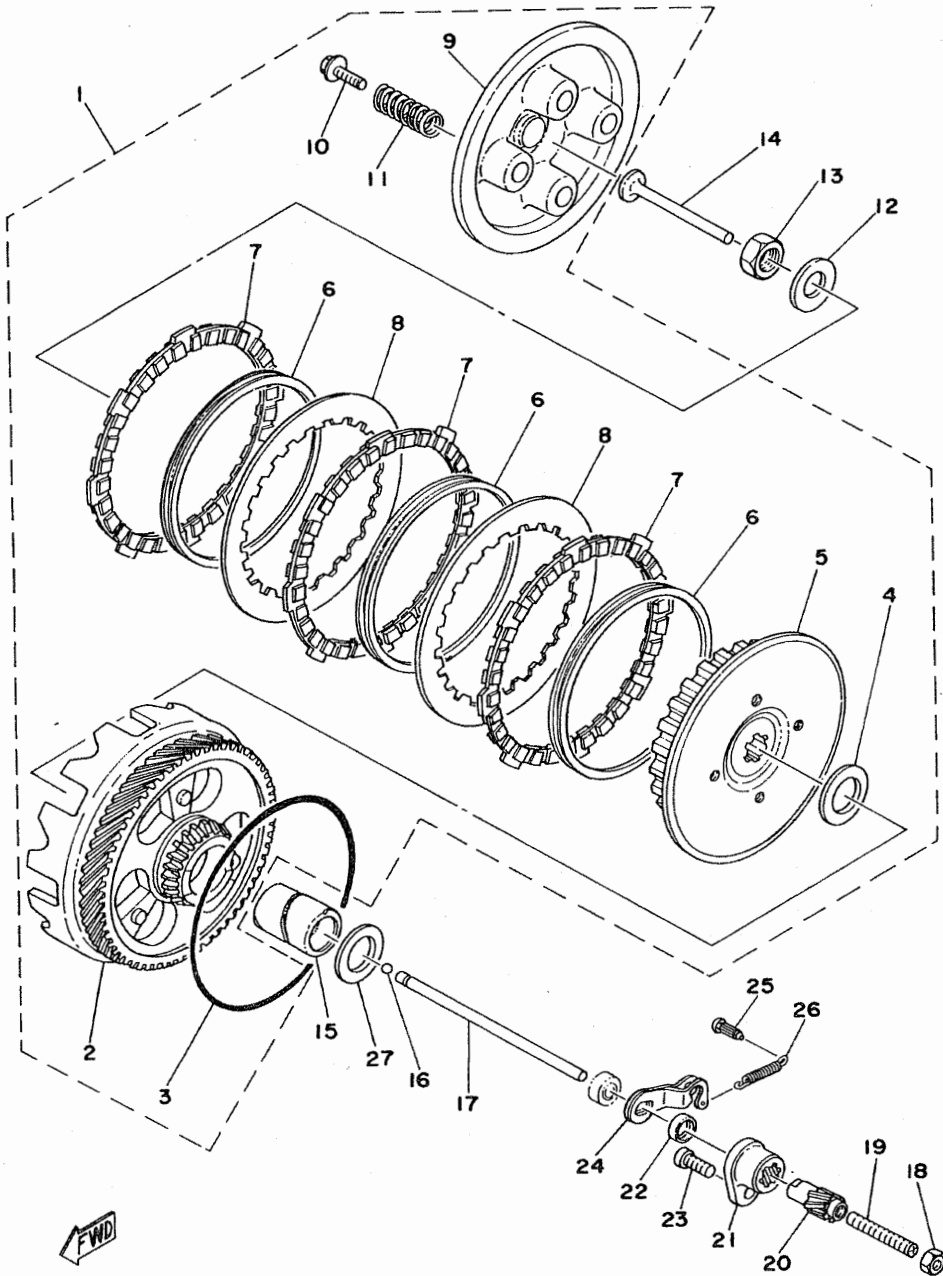
Ref. No.	Part No.	Description	Qty	Applicable Machine No.	Remarks
2- 1	353-15411-00-Y4	COVER, crankcase left	1		Metallic Silver
2- 2	353-15415-00-Y4	COVER, generator	1		Metallic Silver
2- 3	92501-06020	SCREW, panhead	3		
2- 4	92501-06045	SCREW, panhead	1		
2- 5	92501-06030	SCREW, panhead	3		
2- 6	353-15421-00-Y4	COVER, crankcase right	1		Metallic Silver
2- 7	353-15451-00	GASKET, crankcase cover	1		
2- 8	91830-21014	PIN, dowel (6.4-10-14)	2		
2- 9	353-15437-02	SCRAPER, oil	1		
2-10	92501-06040	SCREW, panhead	2		
2-11	92501-06030	SCREW, panhead	7		
2-12	353-15416-00-Y4	COVER, oil pump	1		Metallic Silver
2-13	92501-06025	SCREW, panhead	2		
2-14	353-15362-00	PLUG, oil level	1		
2-15	93210-21190	O-RING (2.6-20.6)	1		
2-16	353-15361-00	GAUGE, level	1		

Fig. 3 CRANK · PISTON



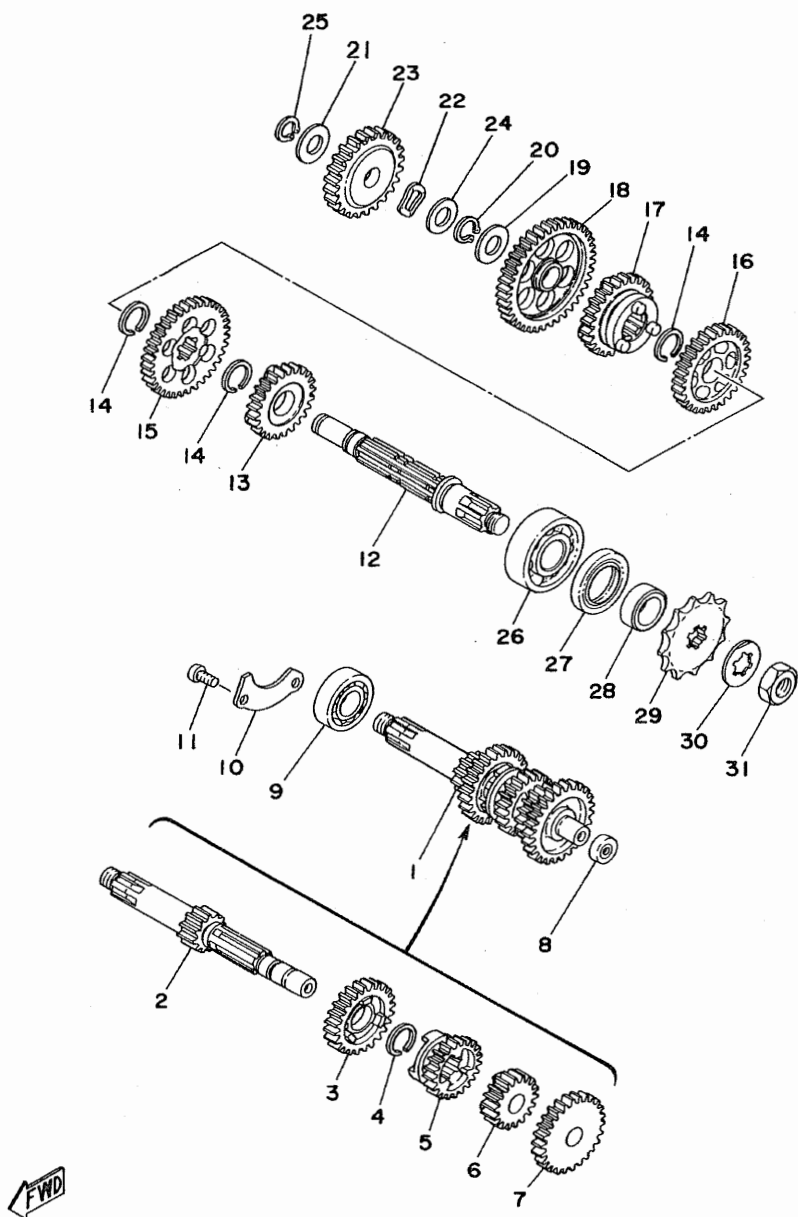
Ref. No.	Part No.	Description	Q'ty	Applicable Machine No.	Remarks
3- 1	420-11400-02	CRANK ASS'Y	1		
3- 2	420-11412-00	. CRANK, left	1		
3- 3	420-11422-00	. CRANK, right	1		
3- 4	598-11651-00	. ROD, connecting	1		
3- 5	257-11681-00	. PIN, crank	1		
3- 6	93310-418E3	. BEARING, con-rod big end	1		
3- 7	90209-18112	. WASHER (132-11685-00)	2		
3- 8	420-11631-01-97	PISTON (39.97mm STD)	1	U. R	
	420-11631-01-98	PISTON (39.98mm STD)	1		
3- 9	93310-11268	BEARING, con-rod small end	1		
3-10	102-11633-02	PIN, piston	1		
3-11	93450-13022	CLIP (132-11634-00)	2		
3-12	420-11610-01	PISTON RING SET	1s		
3-13	93306-20418	BEARING (6204)	2		
3-14	93102-20009	OIL SEAL (SD-20-35-7)	1		
3-15	93103-28011	OIL SEAL (SW-28-40-8)	1		
3-16	90387-20170	COLLAR (248-16136-00)	1		
3-17	353-16111-01	GEAR, primary drive (19T)	1		
3-18	90282-05005	KEY, straight (353-11546-00)	1		
3-19	90179-12244	NUT	1		
3-20	90208-12015	SPRING, belleville (164-16119-00)	1		
3-21	90280-03017	KEY, woodruff (146-11545-00)	1		
3-22	90170-12175	NUT, hexagon	1		
3-23	92901-12100	WASHER, spring	1		
3-24	90201-12535	WASHER	1		

Fig. 4 CLUTCH



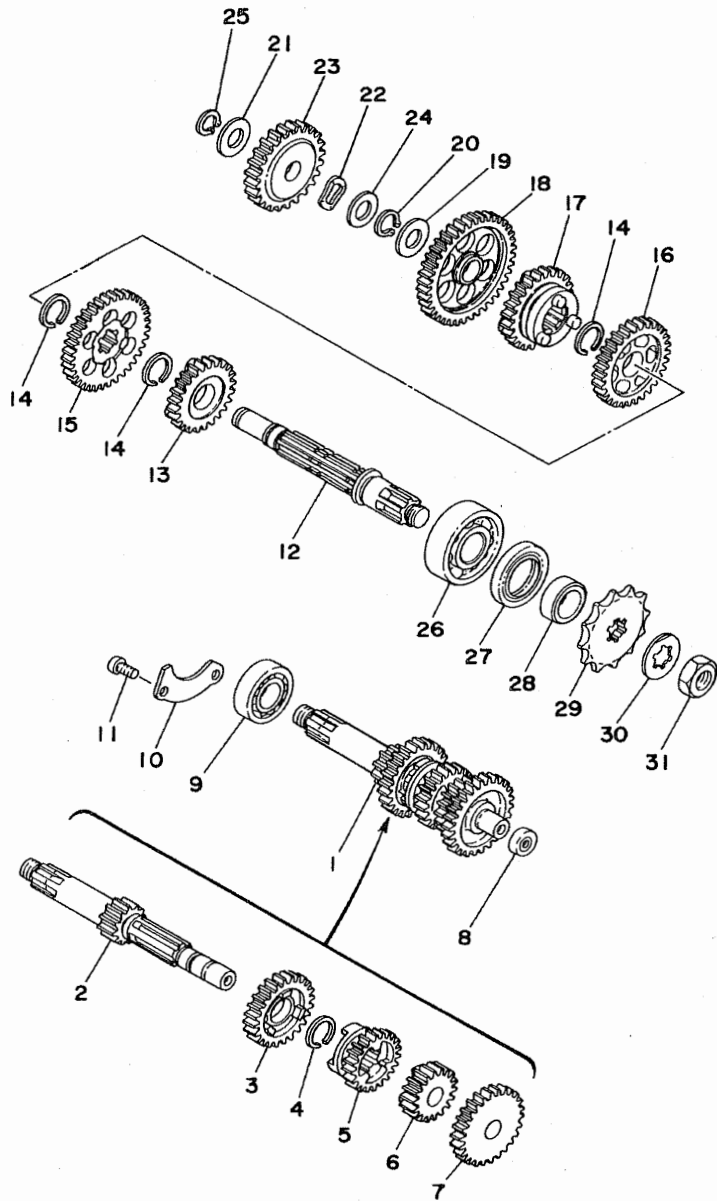
Ref. No.	Part No.	Description	Q'ty	Applicable Machine No.	Remarks
4- 1	2A3-16301-00	CLUTCH ASS'Y	1		
4- 2	2A3-16150-00	. PRIMARY DRIVEN GEAR COMP. (68T)	1		
4- 3	93210-98202	. O-RING (5.33-97.76)	1		
4- 4	122-16164-00	. PLATE, thrust (17.2-30-2) ...	1		
4- 5	353-16371-00	. BOSS, clutch	1		
4- 6	131-16367-00	. RING, cushion	3		
4- 7	131-16321-00	. PLATE, friction	3		
4- 8	257-16324-00	. PLATE, clutch	2		
4- 9	353-16351-00	. PLATE, pressure	1		
4-10	90119-05001	. BOLT, hexagon with washer ...	4		
4-11	90501-20125	. SPRING, compression (132-16333-00)	4		
4-12	90208-12015	SPRING, belleville (164-16119-00)	1		
4-13	90170-12060	NUT (137-16377-00)	1		
4-14	137-16356-00	ROD, push 1	1		
4-15	90560-17123	SPACER (131-16181-01)	1		
4-16	93503-16010	BALL (3/16 inch)	1		
4-17	353-16357-00	ROD, push 2	1		
4-18	95301-06700	NUT, hexagon	1		
4-19	90113-06013	SCREW (241-16343-00)	1		
4-20	241-16341-01	SCREW, push	1		
4-21	353-16396-00	HOUSING, push screw	1		
4-22	93104-11028	OIL SEAL (SO-10.5-15-3)	1		
4-23	92501-06015	SCREW, panhead	1		
4-24	451-16342-00	LEVER, push	1		
4-25	132-16346-00	HOOK, spring	1		
4-26	90506-07066	SPRING (257-16345-00)	1		
4-27	122-16164-00	PLATE, thrust (17.2-30-2)	1		

Fig. 5 TRANSMISSION



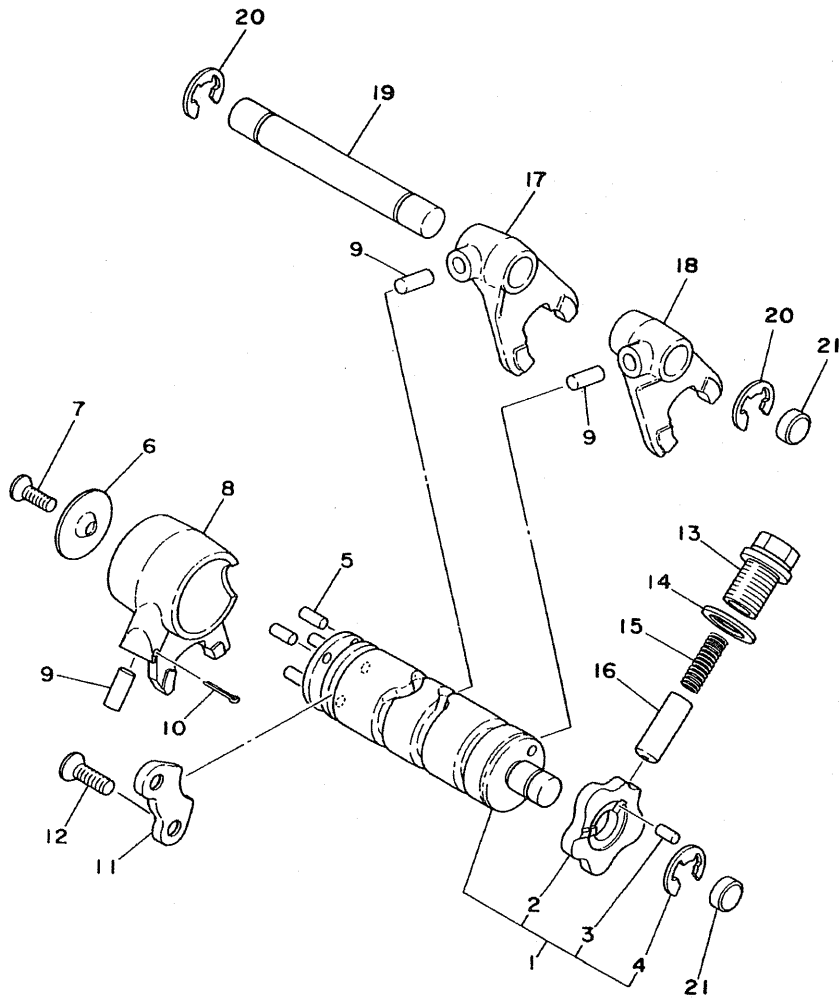
Ref. No.	Part No.	Description	Q'ty	Applicable Machine No.	Remarks
5- 1	353-17410-10	MAIN AXLE COMP.	1		
5- 2	353-17411-10	. AXLE, main (12T)	1		
5- 3	353-17141-01	. GEAR, 4th pinion (24T)	1	U.R	1
	353-17141-11	. GEAR, 4th pinion (24T)			
5- 4	93440-16030	. CIRCLIP (257-17414-00)	1		
5- 5	353-17131-00	. GEAR, 3rd pinion (21T)	1	U.R	1
	353-17131-10	. GEAR, 3rd pinion (21T)			
5- 6	353-17121-10	. GEAR, 2nd pinion (17T)	1		
5- 7	353-17151-00	. GEAR, 5th pinion (26T)	1		
5- 8	257-15389-00	SEAL, push rod	1		
5- 9	93306-20303	BEARING (6203Z)	1		
5-10	353-17471-00	PLATE, bearing cover	1		
5-11	92501-06012	SCREW, panhead	2		
5-12	598-17421-00	AXLE, drive	1		
5-13	353-17251-00	GEAR, 5th wheel (25T)	1		
5-14	93440-16030	CIRCLIP (257-17414-00)	3		
5-15	353-17221-00	GEAR, 2nd wheel (34T).....	1		
5-16	353-17231-00	GEAR, 3rd wheel (30T).....	1		
5-17	353-17241-00	GEAR, 4th wheel (27T)	1		
5-18	353-17211-00	GEAR, 1st wheel (39T)	1		
5-19	257-17219-00	SHIM (13.2-24-0.6)	1		
5-20	93410-13004	CIRCLIP (S-13)	1		
5-21	90201-13202	WASHER, plate (201-15653-00)	1		
5-22	90206-15021	WASHER, wave (137-15643-00)	1		
5-23	353-15651-00	GEAR, kick idle (25T)	1		
5-24	102-18137-00-10	WASHER, plate	1		
5-25	93410-12003	CIRCLIP (S-12)	1		
5-26	93306-30305	BEARING (6303)	1		
5-27	93102-25017	OIL SEAL (SD-25-40-5)	1		

Fig. 5 TRANSMISSION



Ref. No.	Part No.	Description	Q'ty	Applicable Machine No.	Remarks
5-28	90387-17137	COLLAR (257-17462-00)	1		
5-29	257-17461-11	SPROCKET, drive (11T)	1	U.R	STD
	257-17461-21	SPROCKET, drive (12T)			
	257-17461-31	SPROCKET, drive (13T)			
	257-17461-41	SPROCKET, drive (14T)			
	257-17461-51	SPROCKET, drive (15T)			
5-30	90215-13019	WASHER (257-17464-00)	1		
5-31	90179-12181	NUT, lock	1		

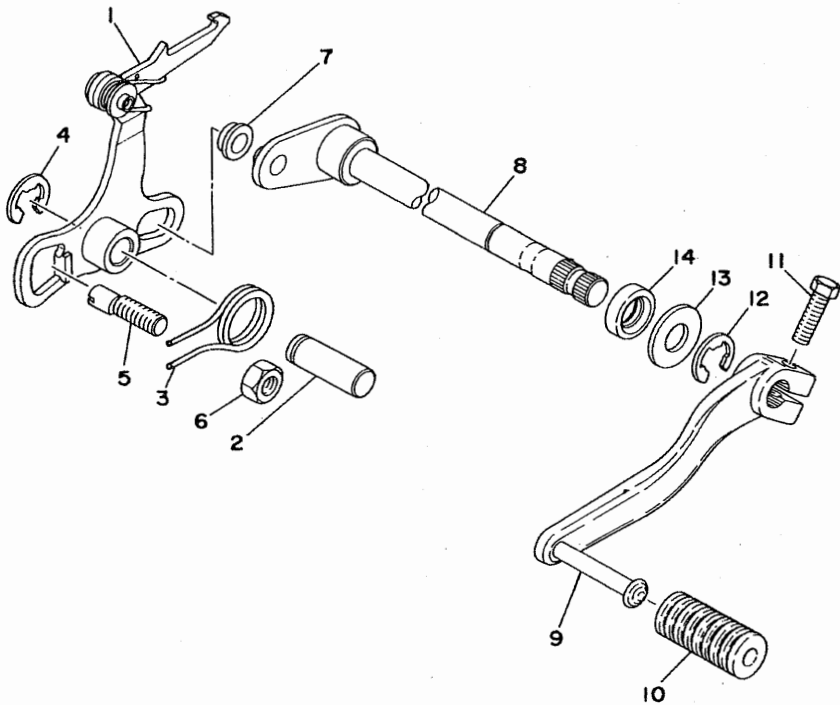
Fig. 6 SHIFTER 1



Ref. No.	Part No.	Description	Q'ty	Applicable Machine No.	Remarks
6- 1	353-18540-01	SHIFT CAM ASS'Y	1		
6- 2	353-18141-01	. PLATE, stopper 1	1		
6- 3	93604-08071	. PIN, dowel (4-8)	1		
6- 4	93440-12026	. CIRCLIP	1		
6- 5	93604-10011	PIN, dowel (4-10)	4		
6- 6	214-18561-00	PLATE, side	1		
6- 7	98701-05012	SCREW, flathead	1		
6- 8	353-18511-01	FORK, shift 1	1		
6- 9	93606-14081	PIN, dowel (6-14.2)	3		
6-10	91401-25017	PIN, cotter	1		
6-11	353-18562-00	PLATE, stopper 2	1		
6-12	92701-06012	SCREW, flathead	2		
6-13	90109-14485	BOLT	1		
6-14	137-15353-00	GASKET, drain plug (14-21-5)	1		
6-15	90501-09292	SPRING, compression	1		
6-16	353-18547-00	STOPPER, cam	1		
6-17	353-18512-01	FORK, shift 2	1		
6-18	353-18513-01	FORK, shift 3	1		
6-19	214-18531-00	BAR, shift fork guide	1		
6-20	93430-10016	CIRCLIP (E-10)	2		
6-21	90334-12009	PLUG, blind (296-15385-00)	2		

FWD

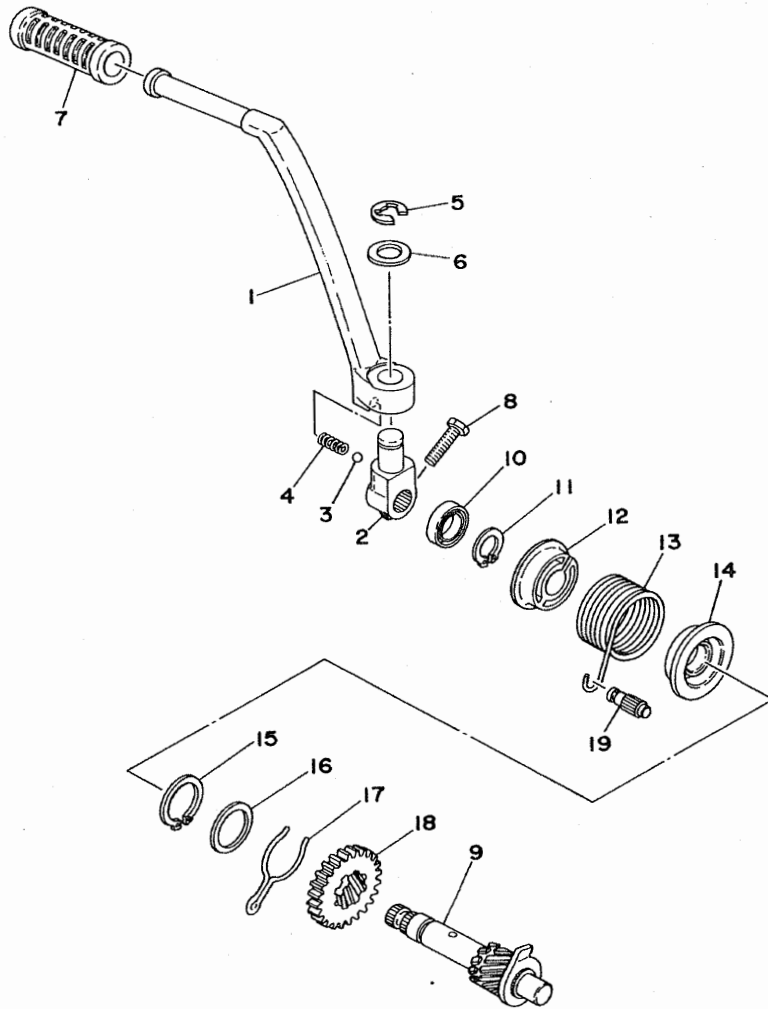
Fig. 7 SHIFTER 2



Ref. No.	Part No.	Description	Q'ty	Applicable Machine No.	Remarks
7- 1	353-18120-00	SHIFT LEVER ASS'Y	1		
7- 2	367-18197-00	SHAFT	1		
7- 3	90508-32054	SPRING (353-18124-00)	1		
7- 4	93430-10016	CIRCLIP (E-10)	1		
7- 5	90149-08094	SCREW, adjusting	1		
7- 6	95301-08600	NUT, hexagon	1		
7- 7	214-18178-00	ROLLER, shift lever	1		
7- 8	353-18101-00	SHIFT SHAFT ASS'Y	1		
7- 9	353-18111-00-93	PEDAL, shift	1		
7-10	132-18113-01	COVER, shift pedal	1		
7-11	97321-06020	BOLT, hexagon	1		
7-12	93430-10016	CIRCLIP (E-10)	1		
7-13	90201-12575	WASHER, plate	1		
7-14	93101-12004	OIL SEAL (S-12-22-5)	1		



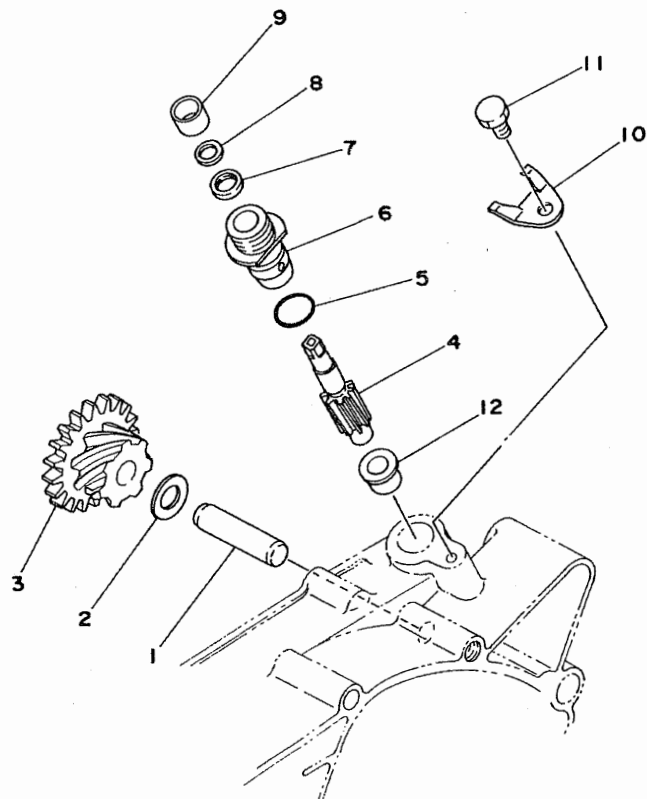
Fig. 8 KICK STARTER



Ref. No.	Part No.	Description	Q'ty	Applicable Machine No.	Remarks
8- 1	353-15611-01-93	CRANK, kick	1		
8- 2	337-15621-01-91	BOSS, kick crank	1		
8- 3	93507-32009	BALL (7/32 inch)	1		
8- 4	90501-12081	SPRING (278-15622-00)	1		
8- 5	93430-10016	CIRCLIP (E-10)	1		
8- 6	90201-15340	WASHER, plate	1		
8- 7	156-15618-01	COVER, kick lever	1		
8- 8	97311-06025	BOLT, hexagon	1		
8- 9	353-15660-02	KICK AXLE ASS'Y	1		
8-10	93109-15001	OIL SEAL (SDO-15-26-6)	1		
8-11	93410-15005	CIRCLIP (S-15)	1		
8-12	132-15676-01	COVER, spring	1		
8-13	90508-26136	SPRING (304-15665-00)	1		
8-14	132-15664-01	GUIDE, spring	1		
8-15	93410-25017	CIRCLIP (S-25)	1		
8-16	117-15644-00	SHIM (25.1-32-1)	1		
8-17	90468-26038	CLIP (353-15687-00)	1		
8-18	353-15641-00	GEAR, kick (24T)	1		
8-19	248-15668-00	STOPPER, kick spring	1		

FWD

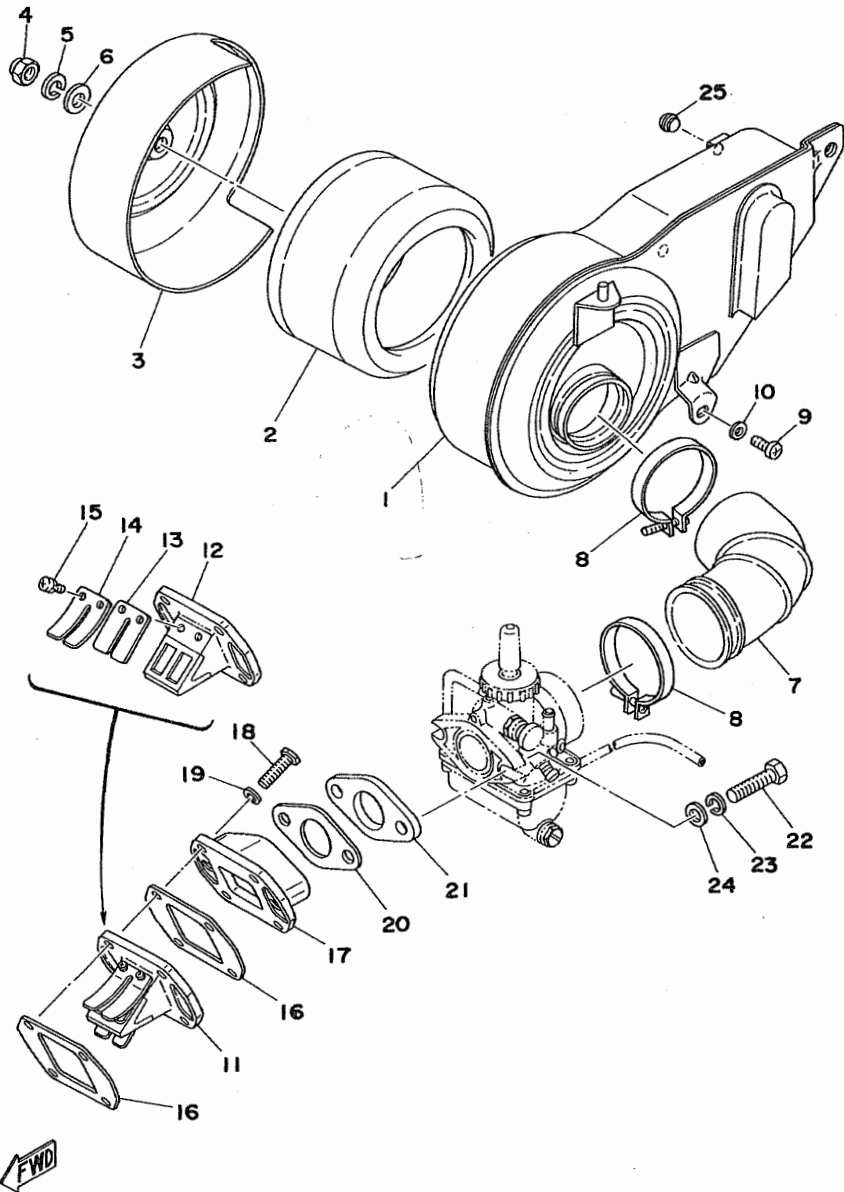
Fig. 9 TACHOMETER GEAR



Ref. No.	Part No.	Description	Q'ty	Applicable Machine No.	Remarks
9- 1	237-17861-00	AXLE, drive gear	1		
9- 2	248-17837-00	SHIM (10.2-16-1)	1		
9- 3	353-17831-00	GEAR, drive	1		
9- 4	214-17841-01	GEAR, driven (9T)	1		
9- 5	93210-13016	O-RING (1.8-13).....	1		
9- 6	214-17811-02	HOUSING	1		
9- 7	353-17816-00	SEAL, housing	1		
9- 8	214-17847-00	SHIM (7.5-10.8-0.4)	1		
9- 9	90383-10005	BUSHING (214-17815-00)	1		
9-10	214-17812-00	STOPPER.....	1		
9-11	97301-06010	BOLT, hexagon	1		
9-12	90381-08002	BUSHING (214-17843-00)	1		

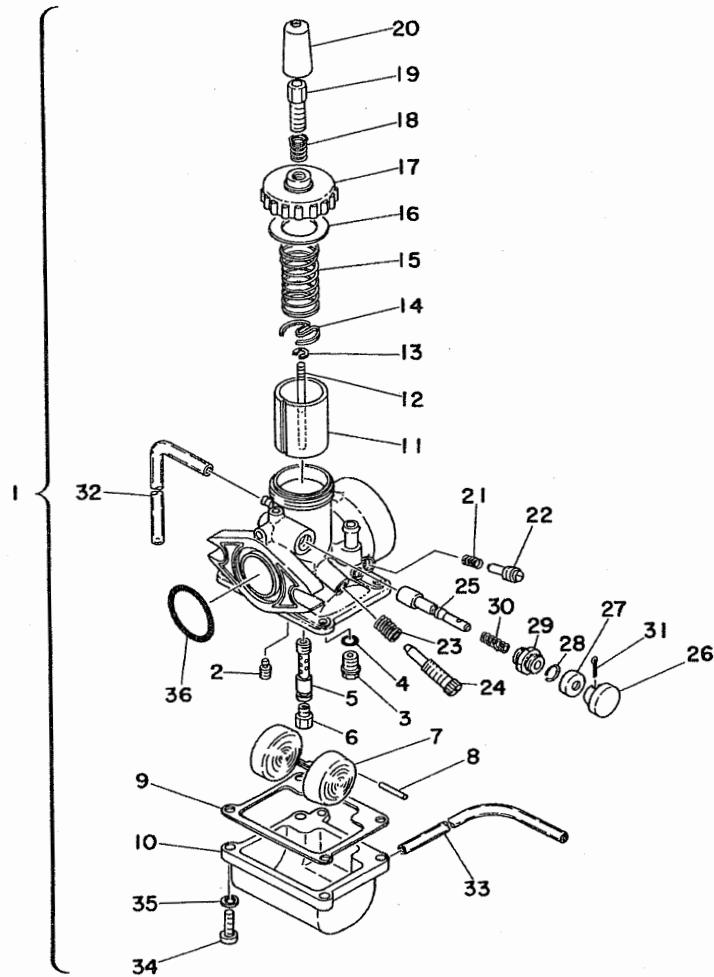


Fig.10 INTAKE



Ref. No.	Part No.	Description	Qty	Applicable Machine No.	Remarks
10- 1	420-14411-00-33	CASE, air cleaner	1		Yamaha Black
10- 2	335-14451-00	ELEMENT, air cleaner	1		
10- 3	420-14412-00-93	CAP, cleaner case	1		
10- 4	95303-08800	NUT, crown	1		
10- 5	92901-08100	WASHER, spring	1		
10- 6	92901-08200	WASHER, plain	1		
10- 7	420-14453-00	JOINT, air cleaner	1		
10- 8	90460-49058	CLAMP (278-14455-00)	2		
10- 9	92501-06015	SCREW, panhead	2		
10-10	92901-06200	WASHER, plain	2		
10-11	304-13610-00	REED VALVE ASS'Y	1		
10-12	304-13611-00	. SEAT, reed valve	1		
10-13	304-13613-00	. REED, valve	2		
10-14	304-13616-00	. STOPPER, reed valve	2		
10-15	97602-03108	. SCREW, panhead	4		
10-16	304-13621-00	PACKING, valve seat	2		
10-17	304-13565-00	MANIFOLD	1		
10-18	97301-06025	BOLT, hexagon	4		
10-19	92901-06100	WASHER, spring	4		
10-20	248-13556-70	GASKET	1		
10-21	315-13555-00	MANIFOLD	1		
10-22	91316-08030	BOLT	2		
10-23	92901-08100	WASHER, spring	2		
10-24	90201-08544	WASHER, plate	2		
10-25	170-21746-00	DAMPER, cleaner stopper	1		

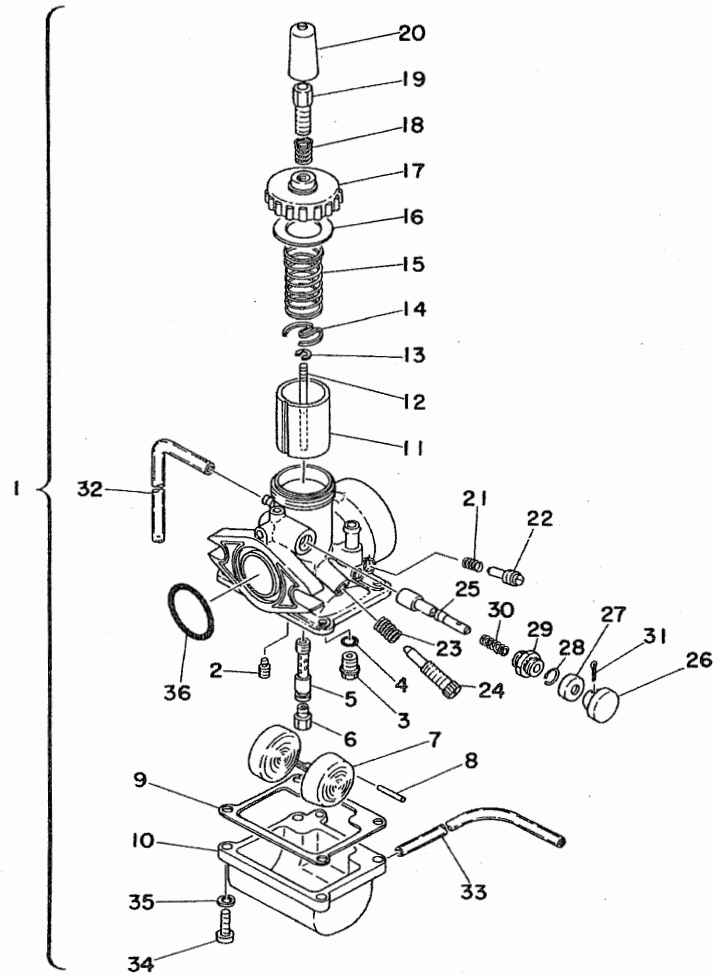
Fig. 11 CARBURETOR



Ref. No.	Part No.	Description	Q'ty	Applicable Machine No.	Remarks
11- 1	420-14101-10	CARBURETOR ASS'Y	1		
11- 2	260-14142-20	. JET, pilot (#20)	1		
11- 3	353-14190-15	. VALVE SEAT ASS'Y (#1.5) ...	1		
11- 4	127-14195-00	. WASHER, valve seat	1		
11- 5	164-14141-26	. NOZZLE, main (N-6).....	1		
11- 6	137-14143-15	. JET, main (#75)	} U.R 1		STD
	137-14143-16	. JET, main (#80)			
	137-14143-17	. JET, main (#85)			
11- 7	304-14185-00	. FLOAT	1		
11- 8	137-14186-01	. PIN, float	1		
11- 9	304-14184-00	. GASKET, float chamber	1		
11-10	420-14181-00	. BODY, float chamber	1		
11-11	304-14112-10	. VALVE, throttle (#1.0)	1		
11-12	166-14116-21	. JET, needle (4J21-3)	1		
11-13	164-14137-00	. CLIP	1		
11-14	137-14136-00	. SEAT, spring	1		
11-15	276-14131-00	. SPRING, throttle valve	1		
11-16	193-14126-00	. PACKING	1		
11-17	193-14158-00	. TOP, mixing chamber	1		
11-18	193-14133-00	. SPRING, wire adjusting	1		
11-19	193-14124-26	. SCREW, wire adjusting	1		
11-20	307-14169-00	. CAP	1		
11-21	174-14134-00	. SPRING, air adjusting	1		
11-22	174-14123-00	. SCREW, air adjusting (# 1-1/2) 1			
11-23	137-14133-00	. SPRING, throttle stop	1		
11-24	304-14122-00	. SCREW, throttle	1		
11-25	304-14171-00	. PLUNGER, starter	1		
11-26	304-14261-00	. HOLDER	1		
11-27	132-14173-00	. COVER, plunger cap	1		

FWD

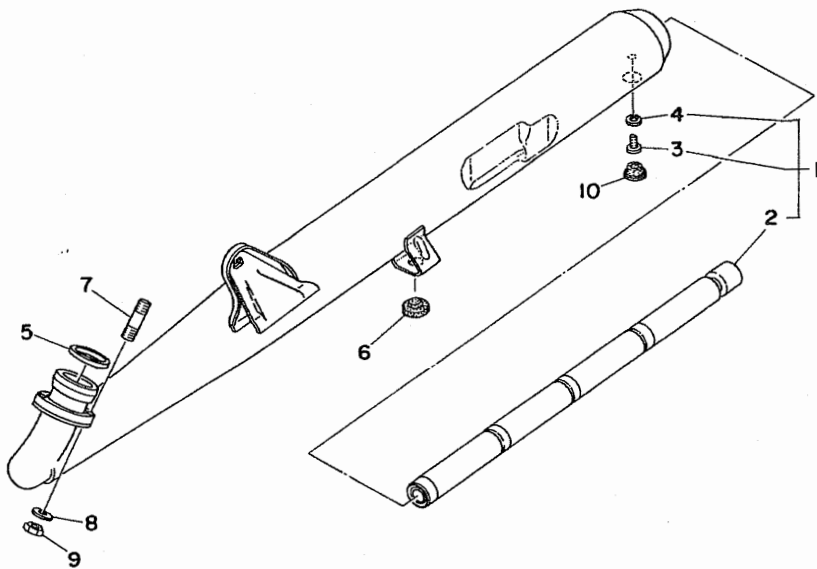
Fig. 11 CARBURETOR



Ref. No.	Part No.	Description	Qty	Applicable Machine No.	Remarks
11-28	353-14138-00	. CLIP, plunger	1		
11-29	152-14174-00	. CAP, plunger	1		
11-30	156-14135-00	. SPRING, plunger	1		
11-31	91401-16015	. PIN, cotter	1		
11-32	183-14197-01	. HOSE, air vent (3-220)	1		
11-33	183-14196-00	. HOSE, over flow (3-160)	1		
11-34	98502-04014	. SCREW, panhead	4		
11-35	92901-04100	. WASHER, spring	4		
11-36	241-14147-00	. O-RING	1		

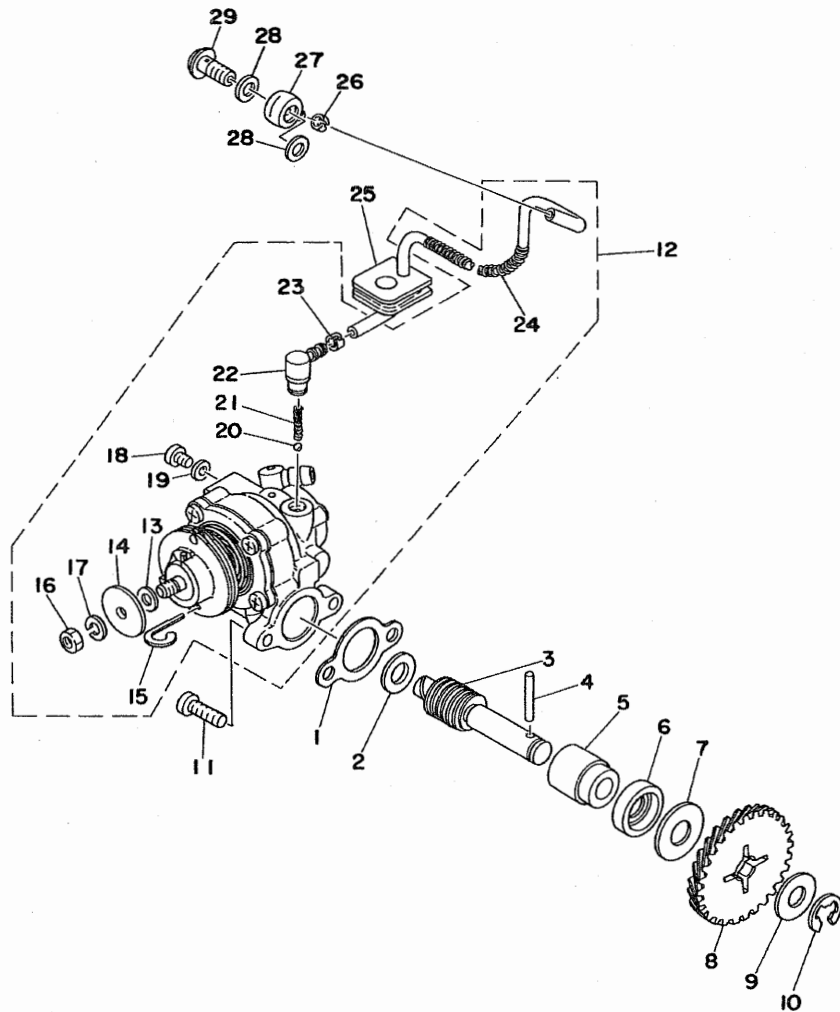
FWD

Fig. 12 EXHAUST



Ref. No.	Part No.	Description	Q'ty	Applicable Machine No.	Remarks
12- 1	420-14610-10	EXHAUST PIPE ASS'Y	1		
12- 2	420-14753-10	SILENCER	1		
12- 3	98501-05010	SCREW, panhead	1		
12- 4	92901-05100	WASHER, spring	1		
12- 5	132-14613-00	GASKET, exhaust pipe	1		
12- 6	1M3-27114-00	STOPPER, main stand	1		
12- 7	90116-08166	STUD	2		
12- 8	92901-08100	WASHER, spring	2		
12- 9	95301-08600	NUT, hexagon	2		
12-10	90480-14153	GROMMET	1		

Fig. 13 OIL PUMP



Ref. No.	Part No.	Description	Q'ty	Applicable Machine No.	Remarks
13- 1	126-13116-00	GASKET, pump case	1		
13- 2	90201-08624	WASHER, plate	1		
13- 3	257-13175-00	SHAFT, worm	1		
13- 4	93603-22028	PIN, dowel (3-22)	1		
13- 5	137-13176-00	METAL, worm shaft outer	1		
13- 6	93101-10001	OIL SEAL (S-10-21-5)	1		
13- 7	90201-10135	WASHER, plate (102-18138-00)	1		
13- 8	353-13178-00	GEAR, drive (28T)	1		
13- 9	90201-10135	WASHER, plate (102-18138-00)	1		
13-10	93430-08006	CIRCLIP (E-8)	1		
13-11	98501-05016	SCREW, panhead	2		
13-12	1K8-13101-01	OIL PUMP ASS'Y	1		
13-13	137-13137-00-03	. SHIM, plunger (5.8-10-0.3)	1	U.R	
	137-13137-00-05	. SHIM, plunger (5.8-10-0.5)			
	137-13137-00-10	. SHIM, plunger (5.8-10-1.0)			
13-14	137-13138-01	. PLATE, adjusting	1		
13-15	367-13146-01	. COVER, adjust pulley	1		
13-16	95301-05600	. NUT, hexagon	1		
13-17	92901-05100	. WASHER, spring	1		
13-18	98901-04008	. SCREW, bind	1		
13-19	90430-04004	. GASKET, breather (137-13187-00)	1		
13-20	93505-32002	. BALL (5/32 inch)	1		
13-21	90501-02217	. SPRING, check ball	1		
13-22	353-13552-01	. NOZZLE	1		
13-23	90468-02033	. CLIP (214-13164-00)	1		
13-24	90445-05217	. HOSE, delivery (353-13161-00)	1		
13-25	248-13174-00	HOLDER, oil hose	1		
13-26	90468-02033	CLIP (214-13164-00)	1		
13-27	214-13162-01	BANJO, delivery hose	1		



Fig. 13 OIL PUMP

Ref. No.	Part No.	Description	Q'ty	Applicable Machine No.	Remarks
----------	----------	-------------	------	------------------------	---------

13-28	90430-06011	GASKET (137-13167-00)	2		
13-29	90401-06001	BOLT (137-13165-00)	1		

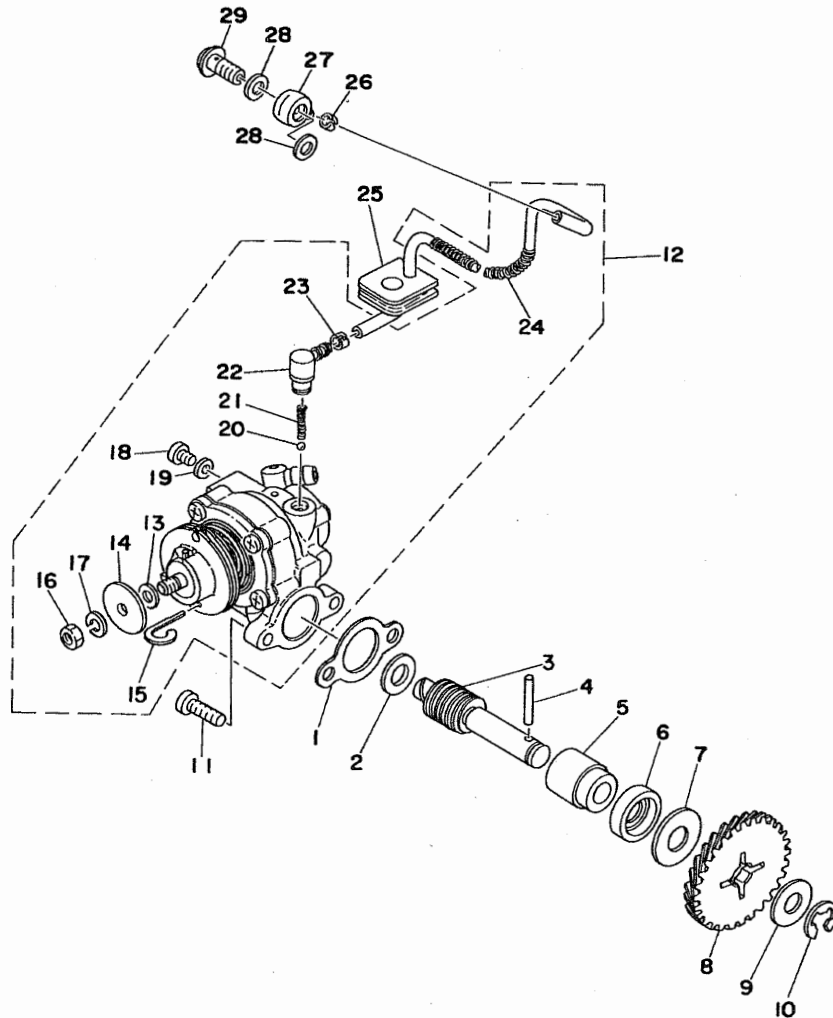
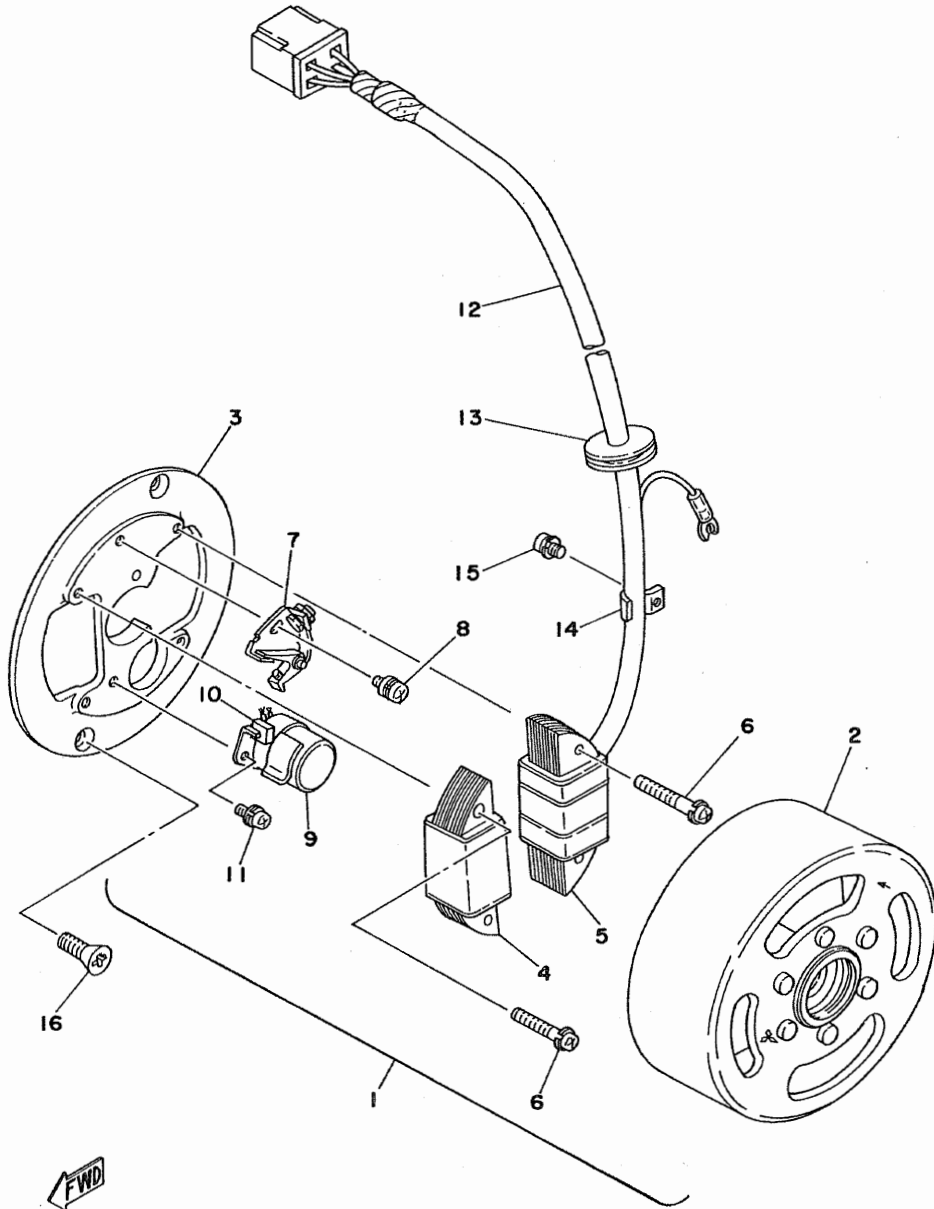


Fig. 14 FLYWHEEL MAGNETO

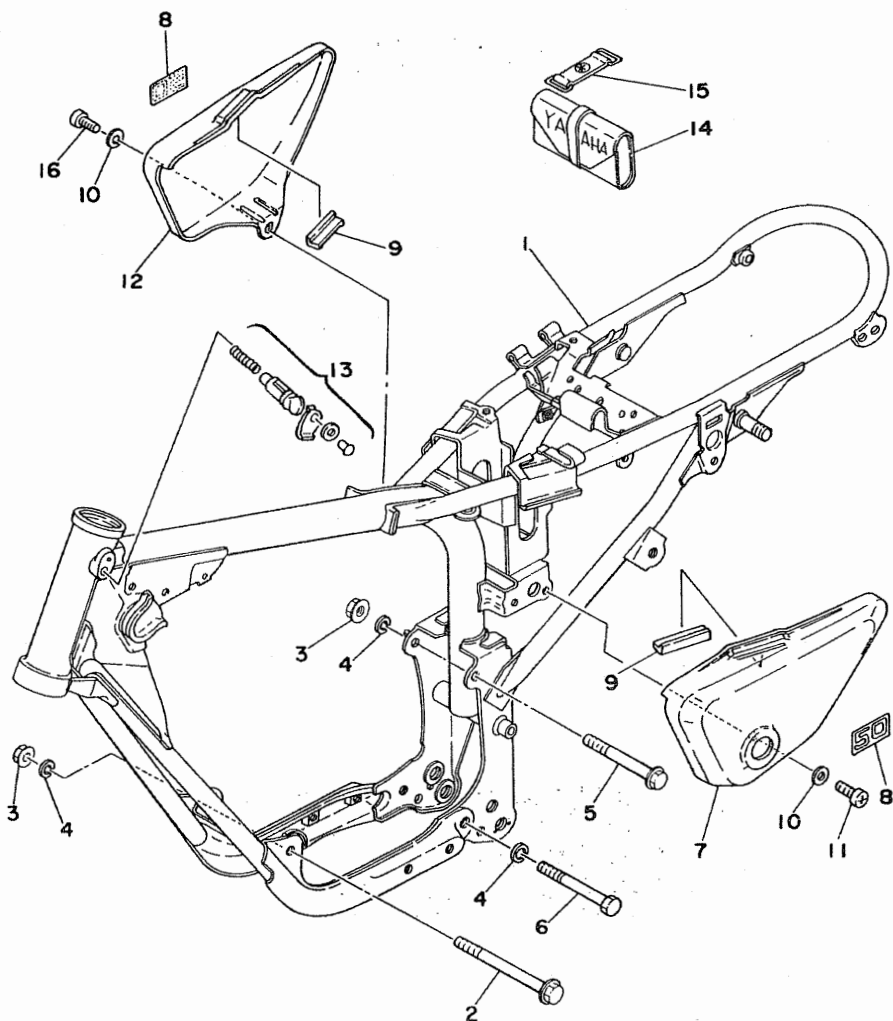


Ref. No.	Part No.	Description	Q'ty	Applicable Machine No.	Remarks
14- 1	2E2-81300-20	FLYWHEEL MAGNETO ASS'Y	1		
14- 2	1K8-81350-20	. ROTOR ASS'Y	1		
14- 3	520-81309-20	. BASE, magneto	1		
14- 4	437-81312-70	. COIL, source	1		
14- 5	520-81313-20	. COIL, lighting	1		
14- 6	110-81348-21	. SCREW (4-25)	4		
14- 7	2F5-81321-20	. CONTACT BREAKER ASS'Y...	1		
14- 8	110-81346-21	. SCREW (4-10)	1		
14- 9	1K8-81325-20	. CONDENSER	1		
14-10	116-81331-20	. LUBRICATOR	1		
14-11	110-81347-21	. SCREW (4-10)	1		
14-12	2E4-81315-20	. LEAD WIRE ASS'Y	1		
14-13	90480-16110	. GROMMET (164-82597-00) ...	1		
14-14	104-81328-20	. CLAMP, lead	1		
14-15	110-81345-21	. SCREW (4-6)	1		
14-16	98701-05015	SCREW, flathead	2		

CHASSIS

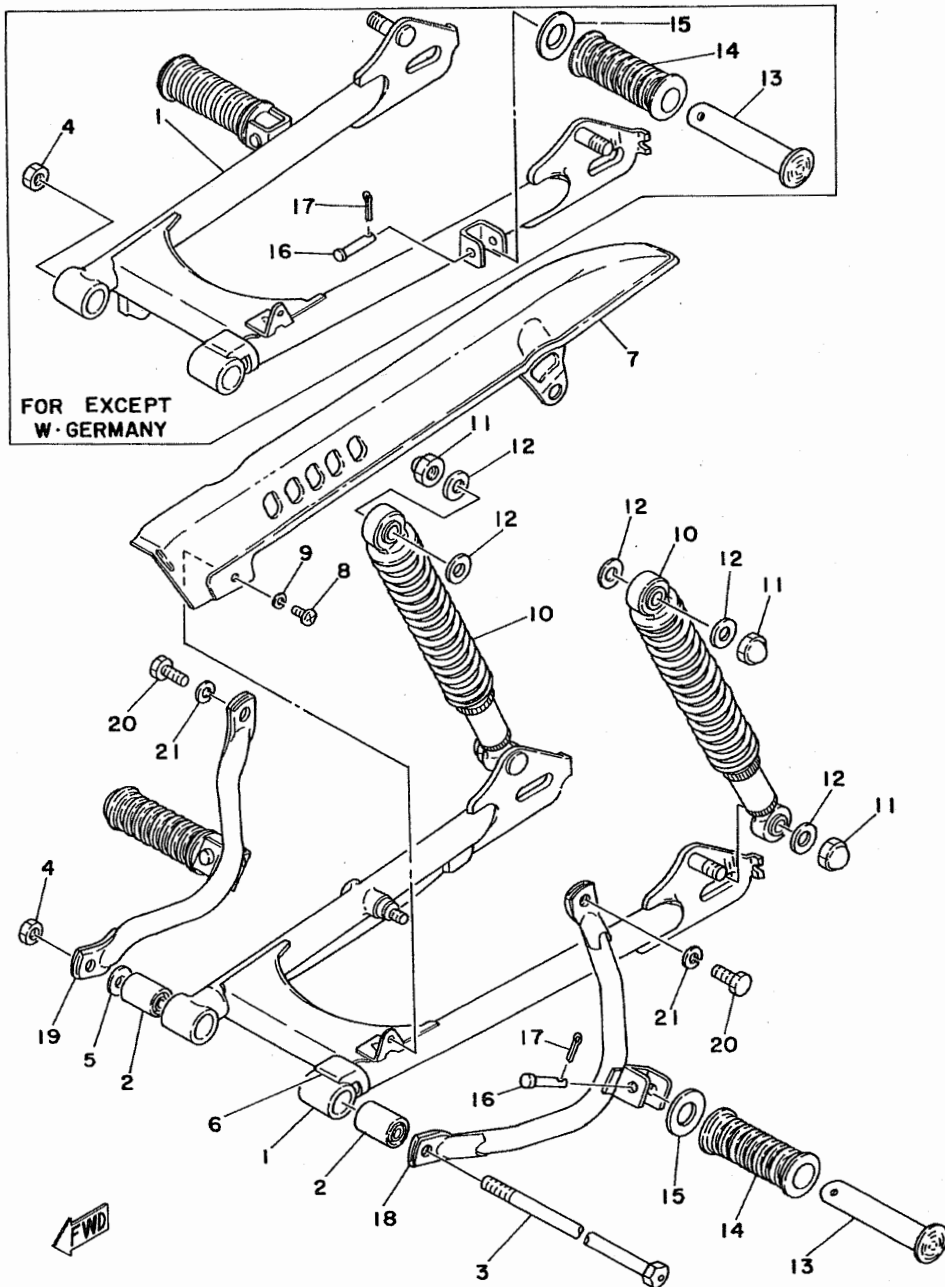


Fig. 15 FRAME · SIDE COVER



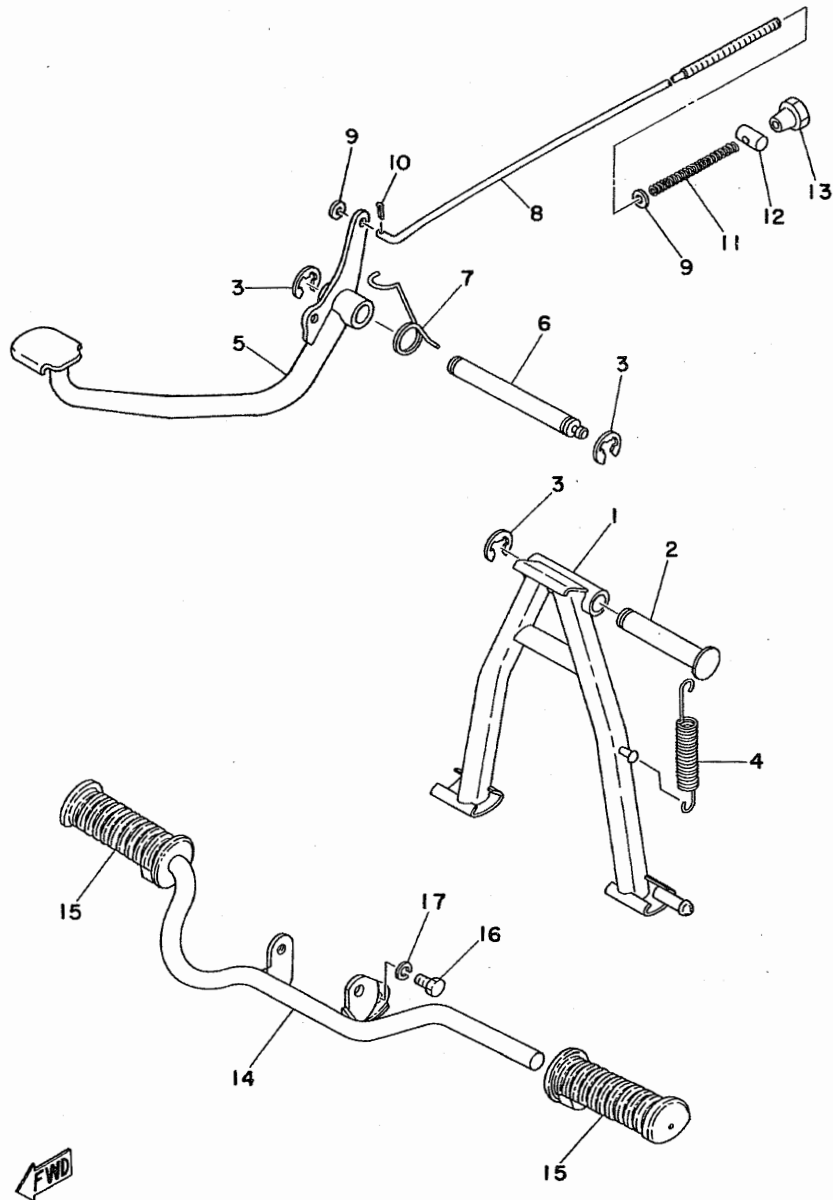
Ref. No.	Part No.	Description	Q'ty	FRANCE	HOLLAND	WEST GERMANY	SWITZERLAND	BEIJING	FINLAND	DENMARK	NORWAY	AUSTRIA	ENGLAND	ITALY	Remarks
15- 1	353-21110-02-33	FRAME COMP.	1										x		Yamaha Black
	2U1-21110-00-33	FRAME COMP.	1	x											Yamaha Black
	420-21110-92-33	FRAME COMP.	1			x	x								Yamaha Black
15- 2	95821-08120	BOLT, flange	1	x	x	x						x			
15- 3	95701-08100	NUT, flange	2	x	x	x						x			
15- 4	92901-08100	WASHER, spring	3	x	x	x						x			
15- 5	95821-08090	BOLT, flange	1	x	x	x						x			
15- 6	90101-08284	BOLT, hexagon	1	x	x	x						x			
15- 7	353-21711-00-E1	COVER, side left	1	x	x	x						x			Chappy Red
	353-21711-00-U2	COVER, side left	1	x	x	x						x			New Portuguese Orange
	353-21711-00-33	COVER, side left	1	x	x	x						x			Yamaha Black
	353-21711-00-75	COVER, side left	1	x	x	x						x			Marine Blue
15- 8	2M4-14729-00	EMBLEM, side cover	2	x	x	x						x			
15- 9	353-21717-00	DAMPER, side cover	2	x	x	x						x			
15-10	92901-06600	WASHER, plate	2	x	x	x						x			
15-11	92501-06015	SCREW, panhead	1	x	x	x						x			
15-12	420-21721-00-E1	COVER, side right	1	x	x	x						x			Chappy Red
	420-21721-00-U2	COVER, side right	1	x	x	x						x			New Portuguese Orange
	420-21721-00-33	COVER, side right	1	x	x	x						x			Yamaha Black
	420-21721-00-75	COVER, side right	1	x	x	x						x			Marine Blue
15-13	*	STEERING LOCK ASS'Y	1	x											
15-14	353-28100-11	TOOL ASS'Y	1	x	x	x						x			
15-15	288-21376-00	BAND, tool	1	x	x	x						x			
15-16	92501-06012	SCREW, panhead	1	x	x	x						x			

Fig. 16 REAR ARM · REAR CUSHION · CHAIN CASE



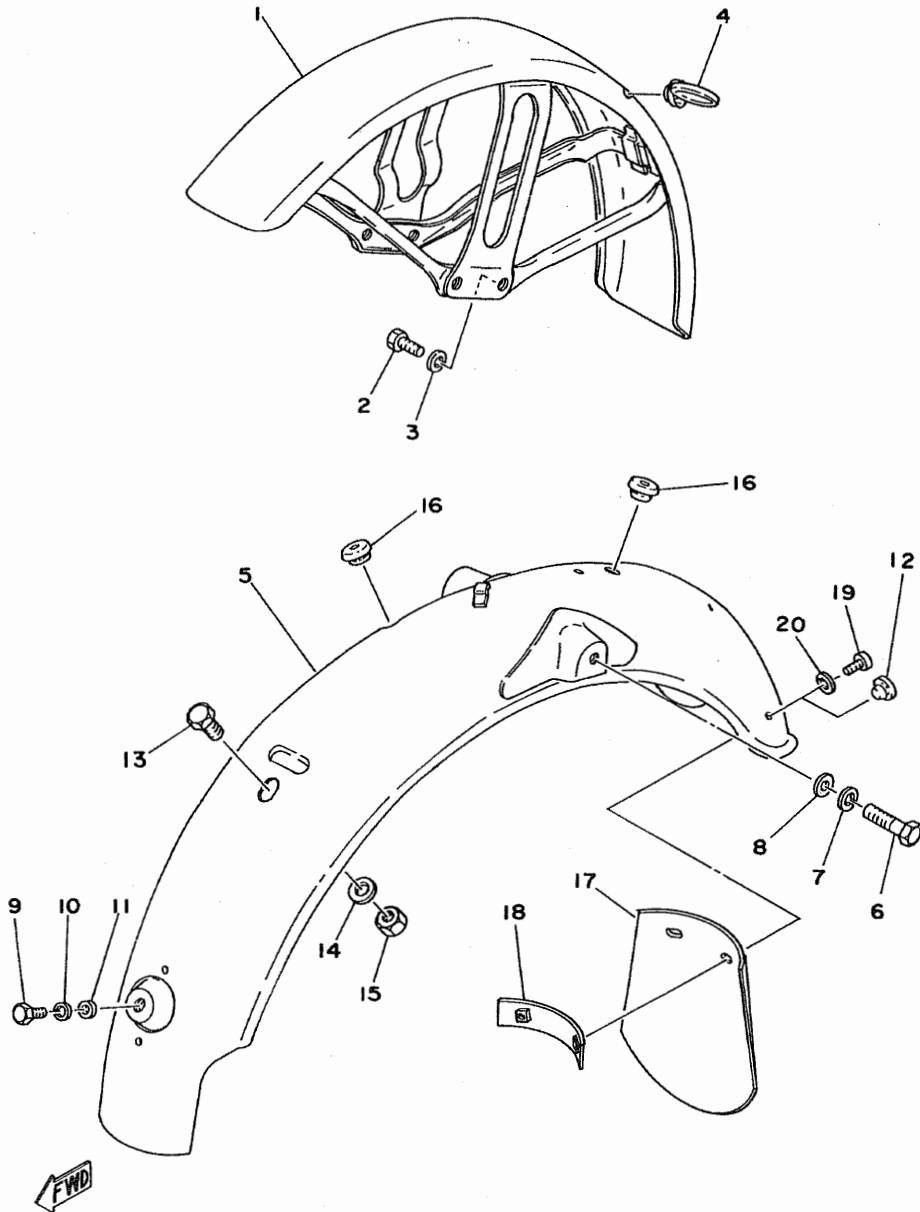
Ref. No.	Part No.	Description	Qty	FRANCE	HOLLAND	WEST GERMANY	SWITZERLAND	BELGIUM	SWEDEN	DENMARK	FINLAND	AUSTRIA	NORWAY	ENGLAND	ITALY	Remarks
16- 1	526-22110-00-33	REAR ARM COMP.	1	x												Yamaha Black
	526-22110-10-33	REAR ARM COMP.	1			x	x					x				Yamaha Black
16- 2	102-22123-00	BUSHING, rear arm	2	x	x	x						x				
16- 3	2M4-22141-00	SHAFT, pivot	1		x											
	353-22141-02	SHAFT, pivot	1				x	x				x				
16- 4	95601-10100	NUT, U	1			x										
	95301-10600	NUT, hexagon	1				x	x				x				
16- 5	92901-10600	WASHER, plate	1			x	x	x				x				
16- 6	183-22151-00	SEAL, guard	1	x	x	x						x				
16- 7	353-22311-01-93	CHAIN CASE, half	1	x	x	x						x				
16- 8	98501-05008	SCREW, panhead	1	x	x	x						x				
16- 9	92901-05100	WASHER, spring	1	x	x	x						x				
16-10	353-22210-20	REAR CUSHION ASS'Y	2	x	x	x						x				
16-11	95304-12800	NUT, crown	4	x	x	x						x				
16-12	90201-12190	WASHER, plate (122-22243-00)	7	x	x	x						x				
16-13	120-27431-00	FOOTREST, rear	2	x	x							x				
16-14	120-27433-00	COVER, rear footrest	2	x	x							x				
16-15	90201-20279	WASHER, plate	2	x	x							x				
16-16	90240-06042	PIN, with hole	2	x												
	91701-06032	PIN, clevis	2				x					x				
16-17	91401-16012	PIN, cotter	2	x	x							x				
16-18	2M4-27432-00	BRACKET, 1	1		x											
16-19	2M4-27442-00	BRACKET, 2	1		x											
16-20	97301-10020	BOLT, hexagon	2		x											
16-21	92901-10100	WASHER, spring	2	x												

Fig. 17 STAND · FOOTREST · BRAKE PEDAL



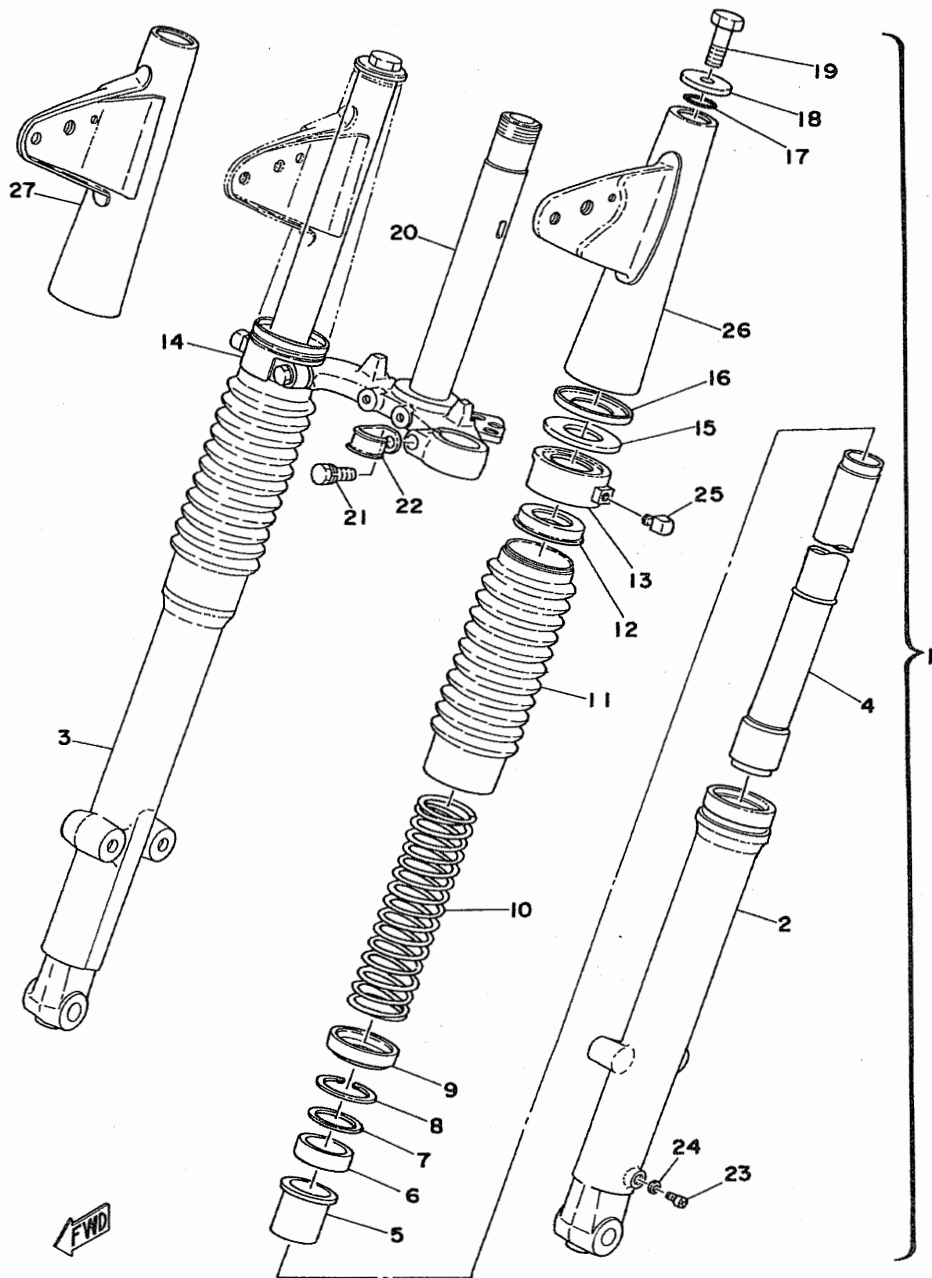
Ref. No.	Part No.	Description	Q'ty	Applicable Machine No.	Remarks
17- 1	353-27111-01	STAND, main	1		
17- 2	353-27112-00	SHAFT, main stand	1		
17- 3	93430-12008	CIRCLIP (E-12)	3		
17- 4	90506-28100	SPRING, tension (276-27316-00)	1		
17- 5	2E0-27211-00-91	PEDAL, brake	1		
17- 6	353-27212-00	SHAFT, brake	1		
17- 7	90508-32056	SPRING, torsion (183-27216-00)	1		
17- 8	180-27231-01	ROD, brake	1		
17- 9	92901-06600	WASHER, plate	2		
17-10	91401-20012	PIN, cotter	1		
17-11	90501-10245	SPRING, compression (180-27236-00)	1		
17-12	90249-12008	PIN (156-27237-00)	1		
17-13	90179-06176	NUT	1		
17-14	353-27411-10	FOOTREST	1		
17-15	122-27413-00	COVER, footrest	2		
17-16	90101-08412	BOLT, hexagon	1		
17-17	92901-08100	WASHER, spring	1		

Fig. 18 FRONT FENDER · REAR FENDER



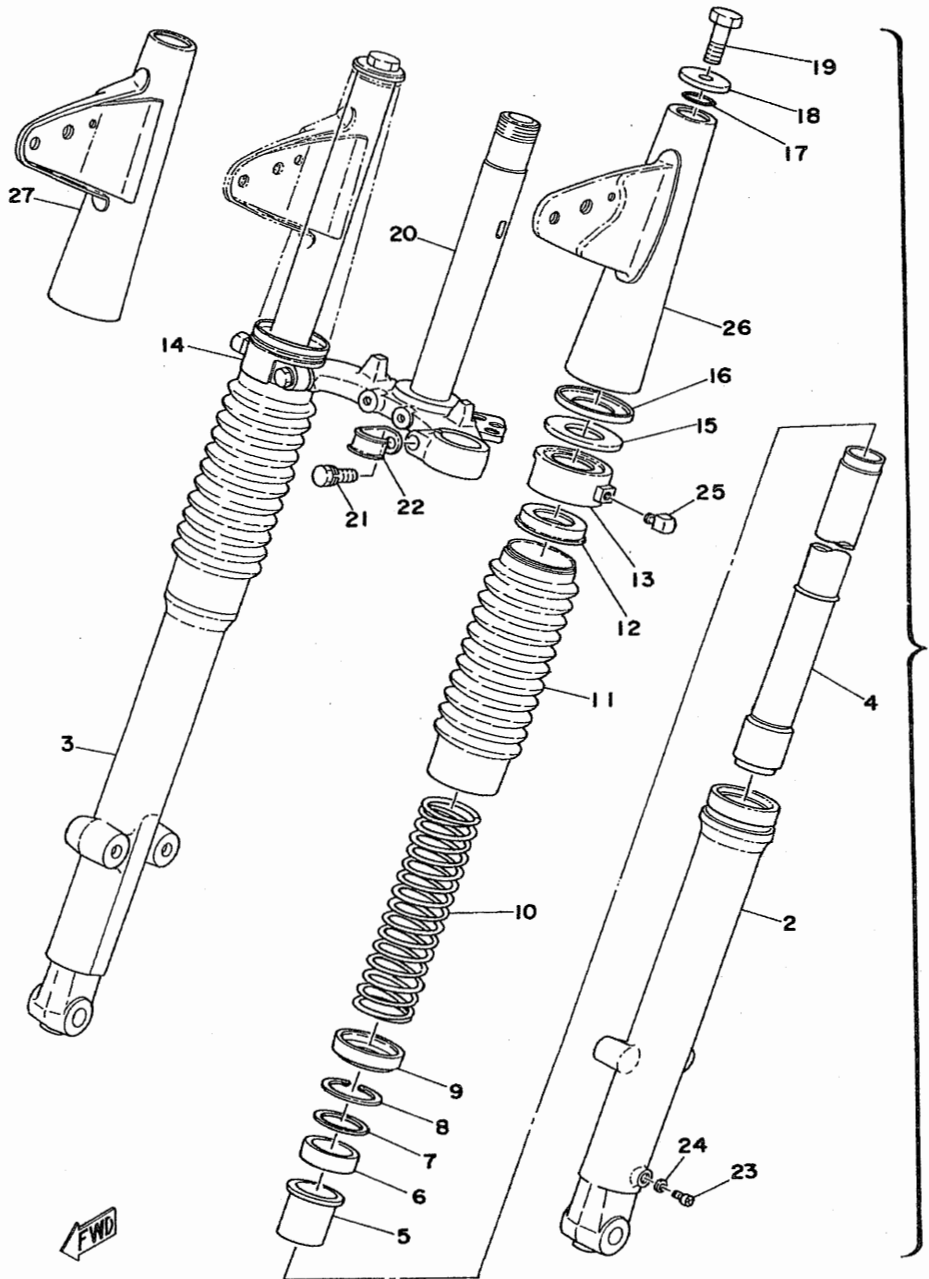
Ref. No.	Part No.	Description	Q'ty	FRANCE	HOLLAND	GERMANY	SWITZERLAND	FINLAND	ENGLAND	ITALY	Remarks
				FRANCE	HOLLAND	GERMANY	SWITZERLAND	FINLAND	ENGLAND	ITALY	
18- 1	481-21510-02-93	FRONT FENDER COMP.	1		x	x	x			x	
18- 2	90101-08281	BOLT, hexagon	2		x	x	x			x	
18- 3	92901-08100	WASHER, spring	2		x	x	x			x	
18- 4	1A0-21518-00	HOLDER, wire	1		x	x	x			x	
18- 5	526-21610-00-93	REAR FENDER COMP.	1		x						
	420-21610-01-93	REAR FENDER COMP.	1			x	x			x	
18- 6	97301-08040	BOLT, hexagon	2		x	x	x			x	
18- 7	92901-08100	WASHER, spring	2		x	x	x			x	
18- 8	92901-08600	WASHER, plate	2		x	x	x			x	
18- 9	97301-06016	BOLT, hexagon	1		x	x	x			x	
18-10	92901-06100	WASHER, spring	1		x	x	x			x	
18-11	92901-06600	WASHER, plate	1		x	x	x			x	
18-12	90338-07043	PLUG, blind (288-83319-00) ..	2		x	x				x	
18-13	97301-06012	BOLT, hexagon	1		x	x	x			x	
18-14	92901-06600	WASHER, plate	1		x	x	x			x	
18-15	95301-06600	NUT, hexagon	1		x	x	x			x	
18-16	90480-12013	GROMMET (152-84518-00) ...	2		x	x	x			x	
18-17	290-21521-01	FLAP, rear fender	1			x					
18-18	420-21522-00	BAND, flap	1			x					
18-19	98503-05010	SCREW, panhead	2			x					
18-20	92903-05600	WASHER, plate	2			x					

Fig. 19 FRONT FORK



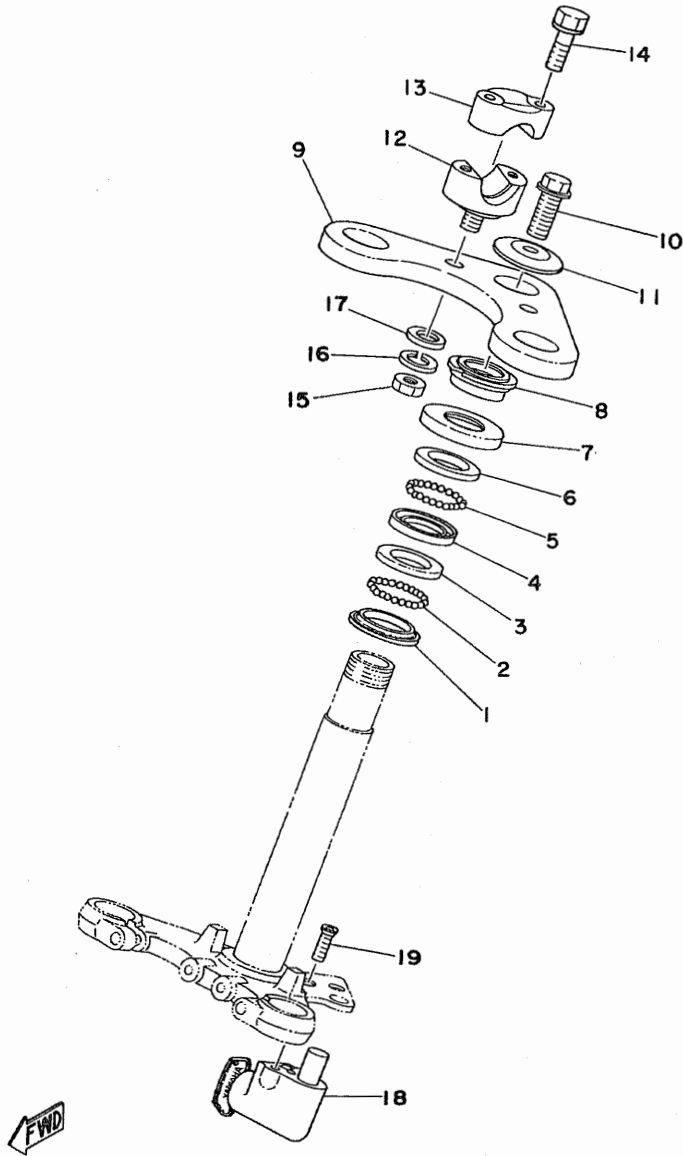
Ref. No.	Part No.	Description	Q'ty	FRANCE	HOLLAND	SWITZERLAND W. GERMANY	SWEDEN	FINLAND	DENMARK	NORWAY	AUSTRIA	ITALY	ENGLAND	Remarks
19- 1	481-23101-00	FRONT FORK ASS'Y	1			x	x							
	526-23101-30	FRONT FORK ASS'Y	1		x									
19- 2	481-23126-09	. TUBE, outer left	1			x	x	x					x	
19- 3	481-23136-09	. TUBE, outer right	1			x	x	x					x	
19- 4	481-23124-00	. INNER TUBE COMP.	2			x	x	x					x	
19- 5	J60-23125-00	. METAL, slide	2			x	x	x					x	
19- 6	1T8-23145-00	. OIL SEAL	2			x	x	x					x	
19- 7	395-23146-00	. WASHER	2			x	x	x					x	
19- 8	395-23156-00	. RING, snap	2			x	x	x					x	
19- 9	428-23117-00	. GUIDE, spring	2			x	x	x					x	
19-10	481-23141-00	. SPRING, fork	2			x	x	x					x	
19-11	428-23191-00	. BOOT	2			x	x	x					x	
19-12	209-23142-40	. SEAT, spring upper	2			x	x	x					x	
19-13	353-23122-90	. COVER, outer left	1			x	x	x					x	
19-14	353-23132-90	. COVER, outer right	1			x	x	x					x	
19-15	207-23163-00	. PACKING	2			x	x	x					x	
19-16	207-23116-01	. GUIDE, cover under	2			x	x	x					x	
19-17	307-23114-00	. PACKING	2			x	x	x					x	
19-18	207-23112-00	. WASHER, cap	2			x	x	x					x	
19-19	205-23111-40	. BOLT, cap	2			x	x	x					x	
19-20	353-23340-91-33	. UNDER BRACKET COMP.	1			x	x						x	Yamaha Black
	420-23340-30-33	. UNDER BRACKET COMP.	1		x									Yamaha Black
19-21	1M3-23346-00	. BOLT, under bracket	2			x	x	x					x	
19-22	260-23318-40	. HOLDER, wire	1			x	x	x					x	
19-23	122-23119-01	. PLUG, drain	2			x	x	x					x	
19-24	122-23129-00	. GASKET, drain plug	2			x	x	x					x	
19-25	90338-16061	PLUG (256-83329-00)	2			x	x	x					x	

Fig. 19 FRONT FORK



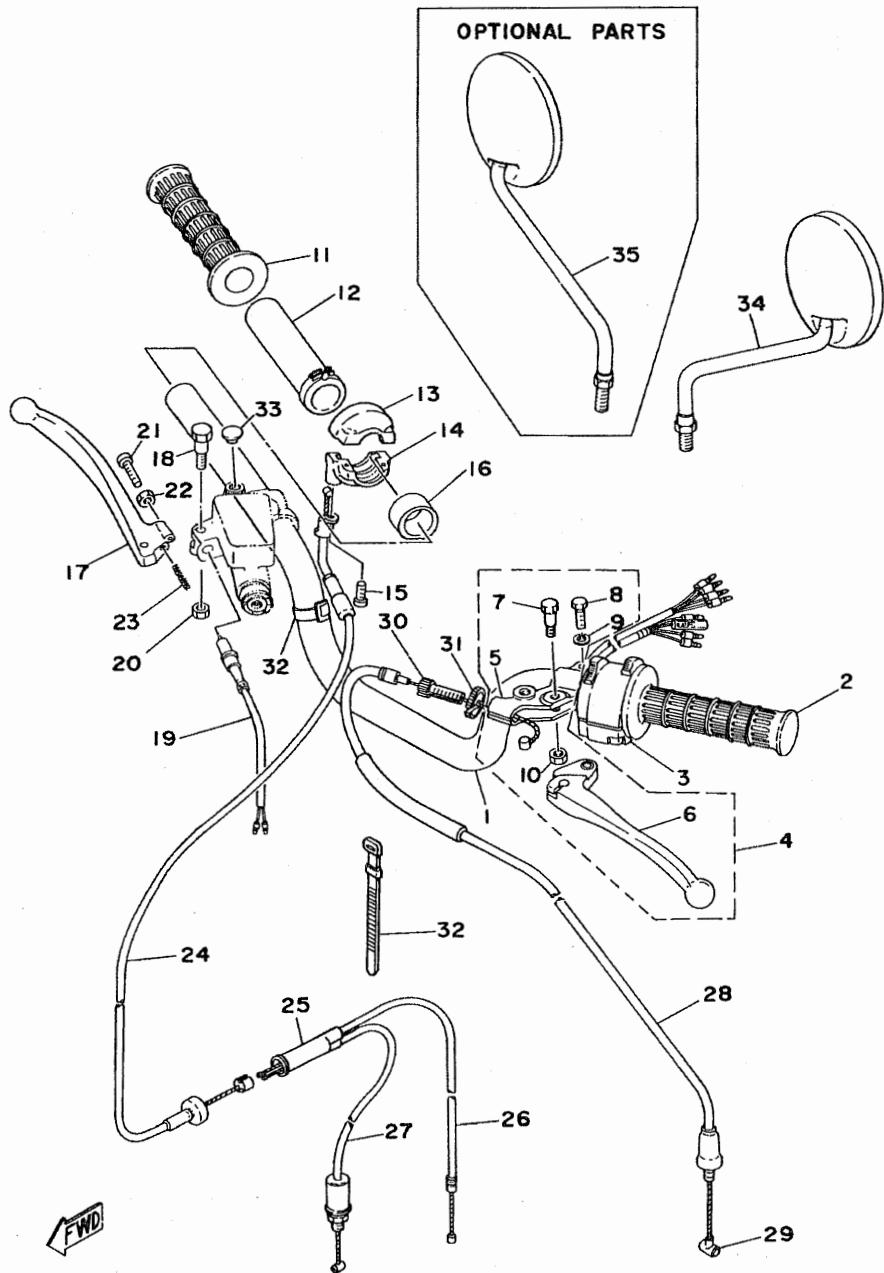
Ref. No.	Part No.	Description	Q'ty	FRANCE	HOLLAND	SWITZERLAND	WEST GERMANY	FINLAND	DENMARK	NORWAY	AUSTRIA	ENGLAND	ITALY	Remarks
19-26	353-23121-91-33	COVER, upper left	1			x	x					x		Yamaha Black
	526-23121-30-33	COVER, upper left	1	x										Yamaha Black
19-27	353-23131-91-33	COVER, upper right	1	x	x	x						x		Yamaha Black

Fig. 20 STEERING



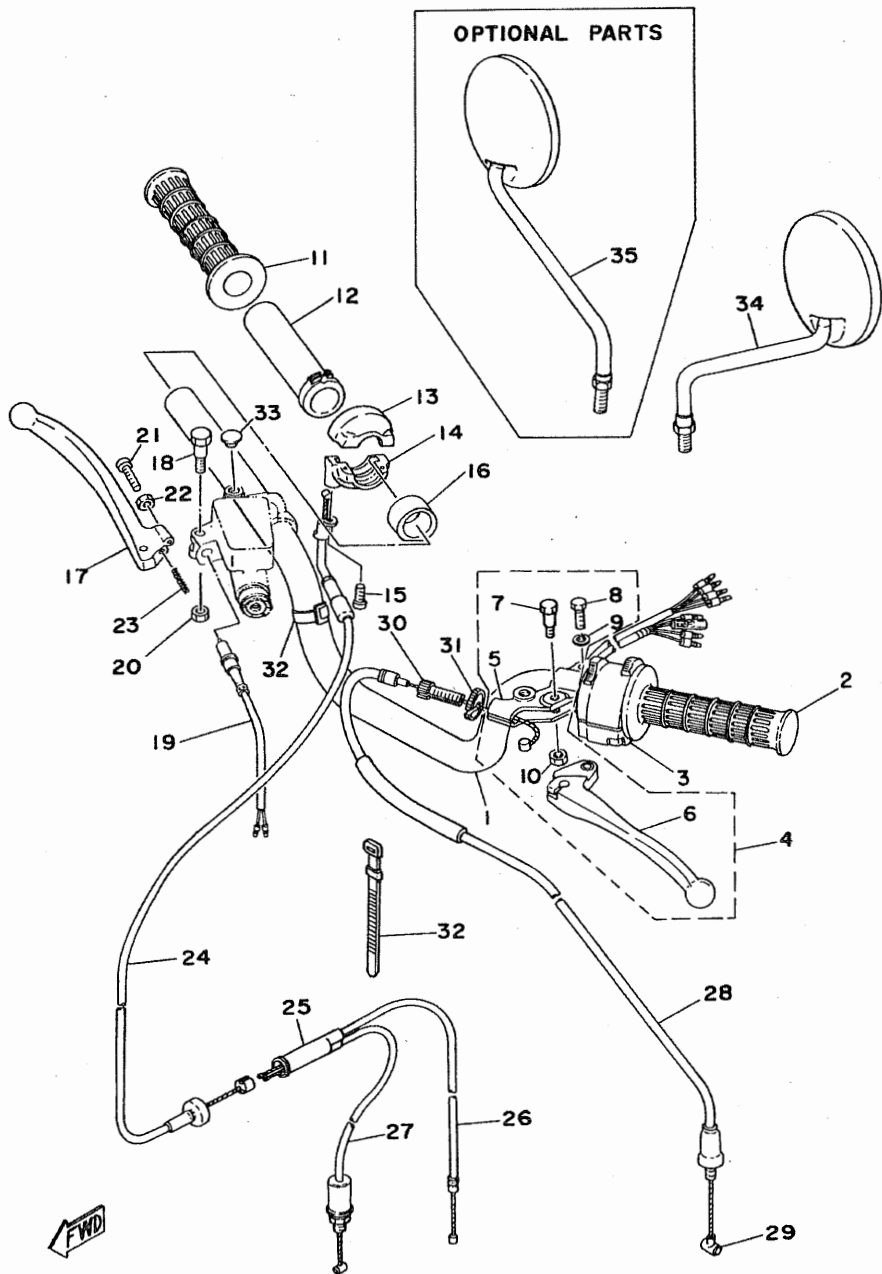
Ref. No.	Part No.	Description	Q'ty	FRANCE	HOLLAND	GERMANY	FINLAND	SWEDEN	BEILGIUM	SWITZERLAND	NORWAY	DENMARK	ENGLAND	ITALY	Remarks
20- 1	156-23411-00	RACE, ball 1	1	x	x	x							x		
20- 2	93501-04011	BALL (1/4 inch)	19	x	x	x							x		
20- 3	156-23412-00	RACE, ball 2	1	x	x	x							x		
20- 4	122-23412-00	RACE, ball 2	1	x	x	x							x		
20- 5	93503-16010	BALL (3/16 inch)	22	x	x	x							x		
20- 6	122-23411-00	RACE, ball 1	1	x	x	x							x		
20- 7	122-23416-00	COVER, ball race	1	x	x	x							x		
20- 8	90179-25051	NUT (122-23453-00)	1	x	x	x							x		
20- 9	185-23435-00-33	CROWN, handle	1	x	x	x							x		Yamaha Black
20-10	90105-10006	BOLT (122-23451-00)	1	x	x	x							x		
20-11	90209-10021	WASHER (122-23443-00)	1	x	x	x							x		
20-12	122-23442-02	HOLDER, handle under	2	x	x	x							x		
20-13	122-23441-00	HOLDER, handle upper	2	x	x	x							x		
20-14	90119-06017	BOLT, hexagon head with washer	4	x	x	x							x		
20-15	95301-10600	NUT, hexagon	2	x	x	x							x		
20-16	92901-10100	WASHER, spring	2	x	x	x							x		
20-17	92901-10600	WASHER, plate	2	x	x	x							x		
20-18	353-23480-01	STEERING LOCK ASS'Y	1			x							x		
20-19	98601-05012	SCREW, ovalhead	2			x							x		

Fig. 21 HANDLE · WIRE



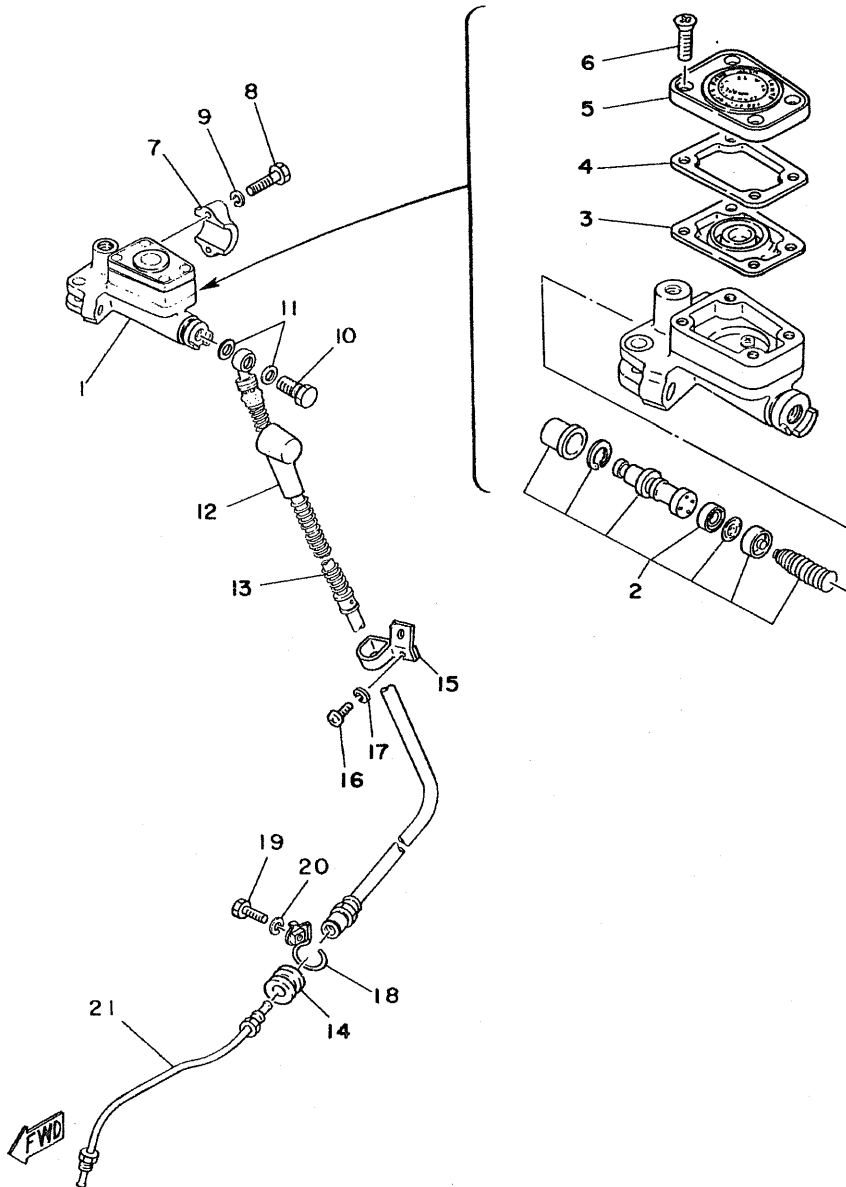
Ref. No.	Part No.	Description	Q'ty	FRANCE	HOLLAND	SWITZERLAND	BEIGIUM	SWEDEN	FINLAND	DENMARK	NORWAY	ENGLAND	ITALY	Remarks
21- 1	481-26111-00	HANDLE	1		x	x	x					x		STD
	416-26111-20	HANDLE	1		x	x	x					x		Bar Alternate Parts
21- 2	235-26241-10	GRIP, left	1		x	x	x					x		
21- 3	478-83972-01	SWITCH, handle 4	1		x	x	x					x		STD
	478-83972-21	SWITCH, handle 4	1		x	x	x					x		Bar Alternate Parts
21- 4	214-82910-06	LEVER HOLDER ASS'Y, left	1		x	x	x					x		
21- 5	214-82911-01	. HOLDER, lever left	1		x	x	x					x		
21- 6	214-83912-00	. LEVER, left	1		x	x	x					x		
21- 7	90109-06410	. BOLT	1		x	x	x					x		
21- 8	97301-06022	. BOLT, hexagon	1		x	x	x					x		
21- 9	92901-06100	. WASHER, spring	1		x	x	x					x		
21-10	95601-06100	. NUT, U	1		x	x	x					x		
21-11	306-26242-10	GRIP, right	1		x	x	x					x		
21-12	1V1-26243-00	TUBE, guide	1		x	x	x					x		
21-13	307-26281-00	CAP, grip upper	1		x	x	x					x		
21-14	307-26282-00	CAP, grip under	1		x	x	x					x		
21-15	98501-05016	SCREW, panhead	2		x	x	x					x		
21-16	90387-22585	COLLAR	1		x	x	x					x		
21-17	1A0-83922-00	LEVER, right	1		x	x	x					x		
21-18	90109-06465	BOLT	1		x	x	x					x		
21-19	1A0-83980-30	FRONT STOP SWITCH ASS'Y	1		x	x	x					x		
21-20	95601-06100	NUT, U	1		x	x	x					x		
21-21	90146-06008	SCREW, slotted	1		x	x	x					x		
21-22	90170-06010	NUT, hexagon (306-83927-00)	1		x	x	x					x		
21-23	90501-10312	SPRING (306-83924-00)	1		x	x	x					x		
21-24	481-26311-00	WIRE, throttle 1 (610mm)	1		x	x	x					x		
21-25	266-26261-00	CYLINDER, wire	1		x	x	x					x		
21-26	420-26312-01	WIRE, throttle 2 (180mm)	1		x	x	x					x		

Fig. 21 HANDLE · WIRE



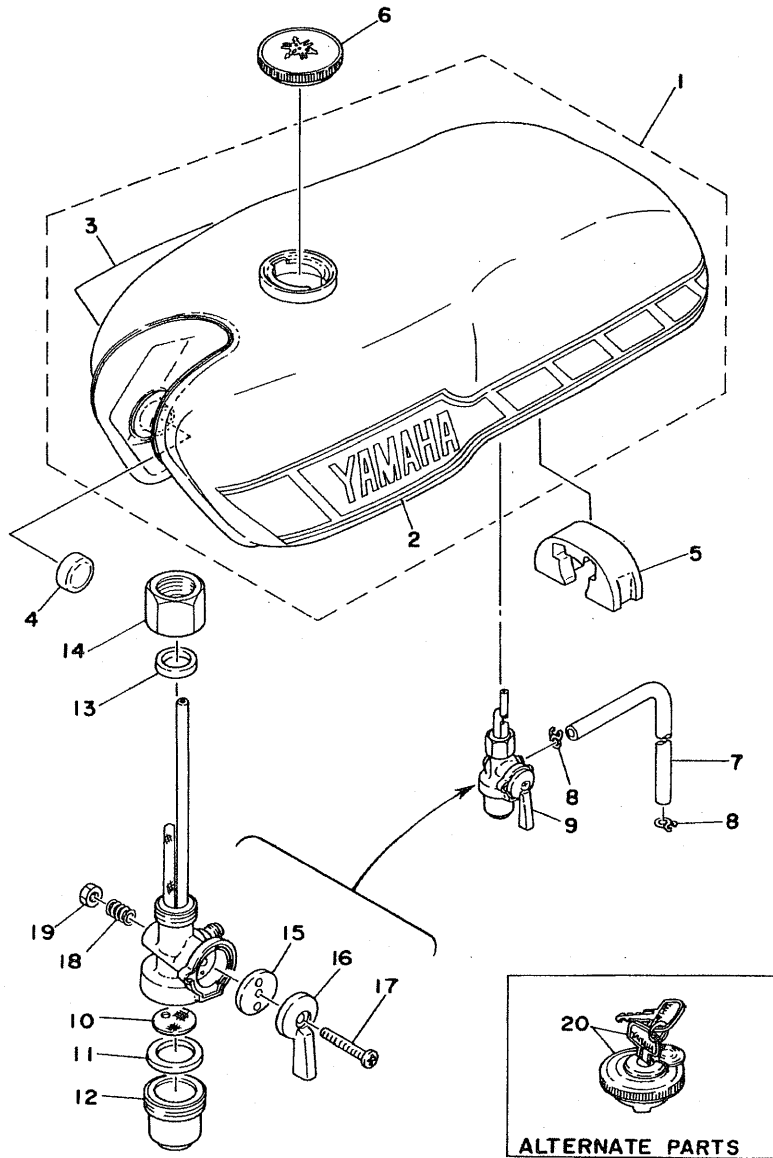
Ref. No.	Part No.	Description	Q'ty	FRANCE	HOLLAND	GERMANY	SWITZERLAND	BEIJING	FINLAND	DENMARK	NORWAY	AUSTRIA	ITALY	ENGLAND	Remarks
21-27	353-26321-02	WIRE, pump (260mm)	1	x	x	x							x		
21-28	481-26335-00	WIRE, clutch (970mm)	1	x	x	x							x		
21-29	164-26363-00	END, wire	1	x	x	x							x		
21-30	90123-08046	BOLT, wire adjusting	1	x	x	x							x		
21-31	90179-08148	NUT (168-26344-00)	1	x	x	x							x		
21-32	168-83936-01	BAND, switch cord	2	x	x	x							x		
21-33	90338-07011	PLUG, blind (116-83931-00) ..	1	x	x	x							x		
21-34	1Y1-26290-50	BACK MIRROR ASS'Y, left ...	1	x											Optional Parts
	1Y1-26290-10	BACK MIRROR ASS'Y, left ...	1		x	x							x		Optional Parts
21-35	1Y1-26290-60	BACK MIRROR ASS'Y, right ..	1	x											Optional Parts
	1Y1-26290-00	BACK MIRROR ASS'Y, right ..	1		x	x							x		Optional Parts

Fig. 22 MASTER CYLINDER · BRAKE HOSE

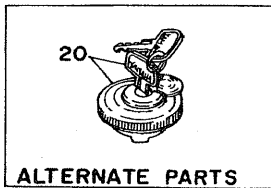


Ref. No.	Part No.	Description	Q'ty	Applicable Machine No.	Remarks
22- 1	1A0-25850-02	MASTER CYLINDER ASS'Y...	U.R 1		ASCO
	1Y1-25850-00	MASTER CYLINDER ASS'Y...			NISSIN
22- 2	1A0-20000-10	. CYLINDER KIT, master	U.R 1		ASCO
	1Y1-W0041-00	. CYLINDER KIT, master			NISSIN
22- 3	1A0-25854-01	. DIAPHRAGM, reservoir	U.R 1		ASCO
	1J3-25854-01	. DIAPHRAGM, reservoir			NISSIN
22- 4	1A0-25855-01	. GASKET, reservoir	U.R 1		ASCO
	1J3-25855-01	. GASKET, reservoir			NISSIN
22- 5	1A0-25893-01	. CAP, reservoir	U.R 1		ASCO
	1J3-25852-01	. CAP, reservoir			NISSIN
22- 6	1A0-25824-01	. SCREW	U.R 4		ASCO
	90151-05008	. SCREW			NISSIN
22- 7	1J3-25867-00	BRACKET, master	1		
22- 8	97321-06025	BOLT, hexagon	2		
22- 9	92901-06100	WASHER, spring	2		
22-10	90401-10034	BOLT, union	1		
22-11	90201-10118	WASHER, plate	2		
22-12	360-25862-00	BOOT, master cylinder	1		
	306-25862-00	BOOT, master cylinder	1		for Bar Handle
22-13	1K0-25872-03	HOSE, brake 1	1		
	1K0-25872-11	HOSE, brake 1	1		for Bar Handle
22-14	341-25881-00	RUBBER, brake hose	1		
22-15	1K0-25875-01	HOLDER, brake hose 1	1		
22-16	92501-06012	SCREW, panhead	1		
22-17	92901-06100	WASHER, spring	1		
22-18	404-25876-00	HOLDER, brake hose 2	1		
22-19	97301-06025	BOLT, hexagon	1		
22-20	92901-06100	WASHER, spring	1		
22-21	404-25871-01	PIPE, brake	1		

Fig. 23 FUEL TANK

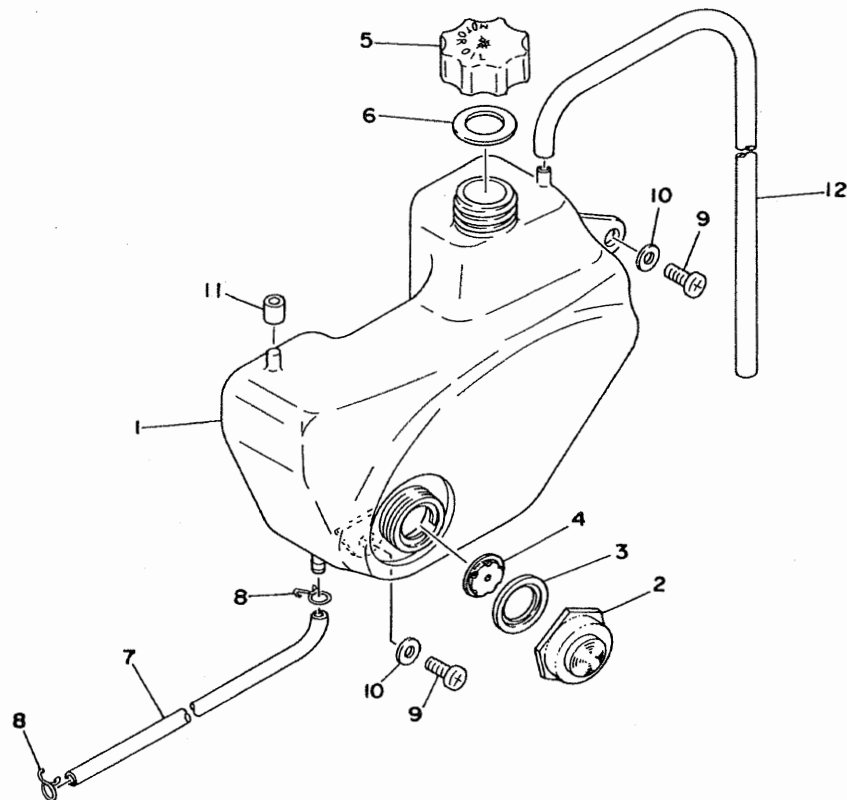


Ref. No.	Part No.	Description	Q'ty	Applicable Machine No.	Remarks
23- 1	2L4-24110-00-01	FUEL TANK COMP.	1		Chappy Red
	2L4-24110-00-02	FUEL TANK COMP.	1		New Portuguese Orange
	2L4-24110-00-03	FUEL TANK COMP.	1		Yamaha Black
	2L4-24110-00-04	FUEL TANK COMP.	1		Marine Blue
23- 2	2L4-24244-00	. GRAPHIC, fuel tank left	1		
23- 3	2L4-24245-00	. GRAPHIC, fuel tank right	1		
23- 4	122-24181-00	DAMPER, locating 1	2		
23- 5	353-24182-00	DAMPER, locating 2	1		
23- 6	122-24610-01	CAP ASS'Y	1		
23- 7	90445-09079	HOSE (170-24311-00 5-140)	1		
23- 8	90467-08003	CLIP (101-24356-00)	2		
23- 9	367-24500-04	FUEL COCK ASS'Y	1		
23-10	355-24515-00	. NET, filter	1		
23-11	102-24522-01	. PACKING, filter	1		
23-12	122-24521-00	. CUP, filter	1		
23-13	122-24532-00	. GASKET, nut	1		
23-14	603-24531-01	. NUT, hexagon	1		
23-15	355-24523-00	. VALVE	1		
23-16	355-24524-01	. LEVER, cock	1		
23-17	98501-05030	. SCREW, panhead	1		
23-18	355-24518-01	. SPRING, lever	1		
23-19	95301-05600	. NUT, hexagon	1		
ALTERNATE PARTS					
23-20	127-24650-02	CAP ASS'Y (with lock key)	1		



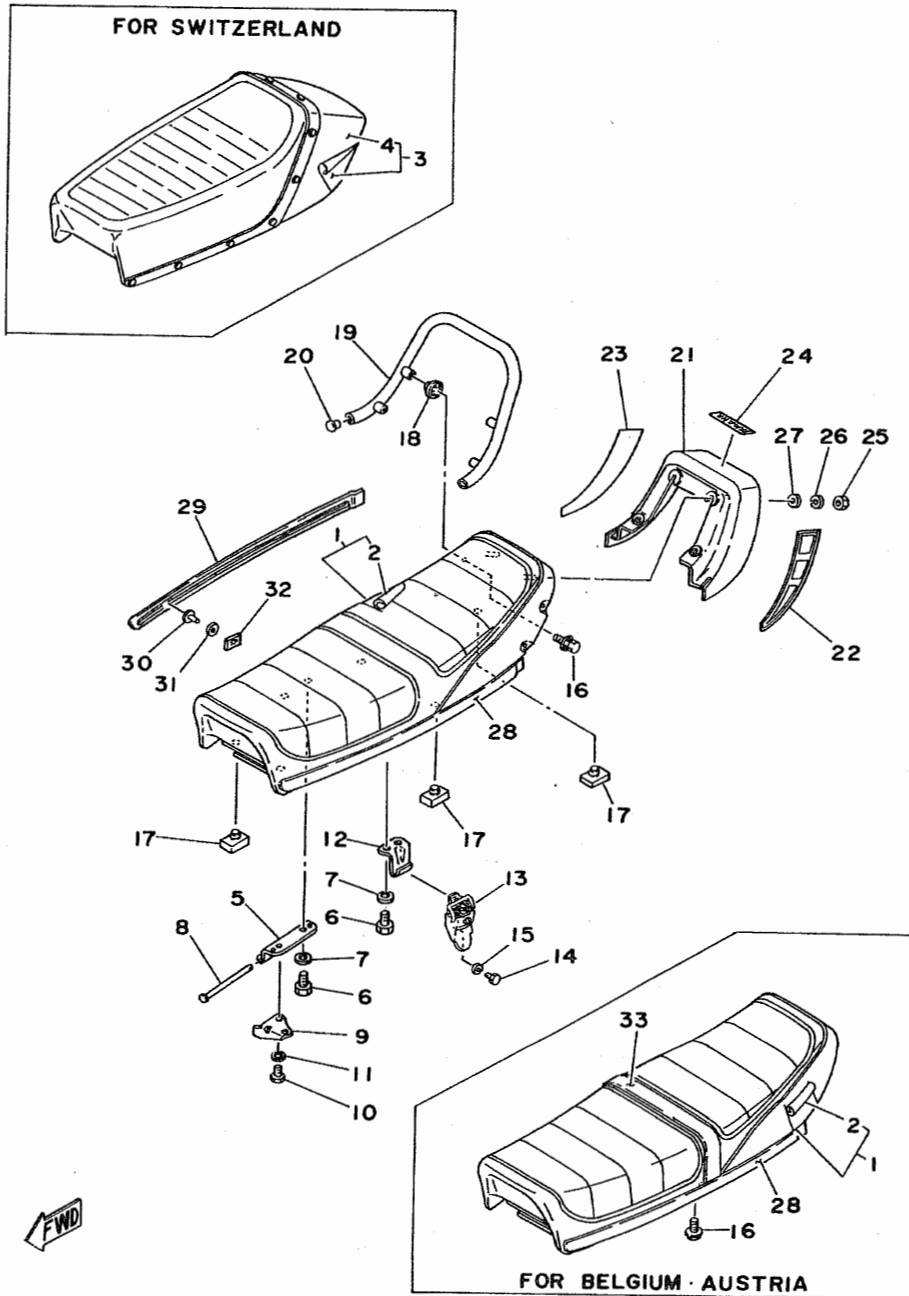
FWD

Fig. 24 OIL TANK



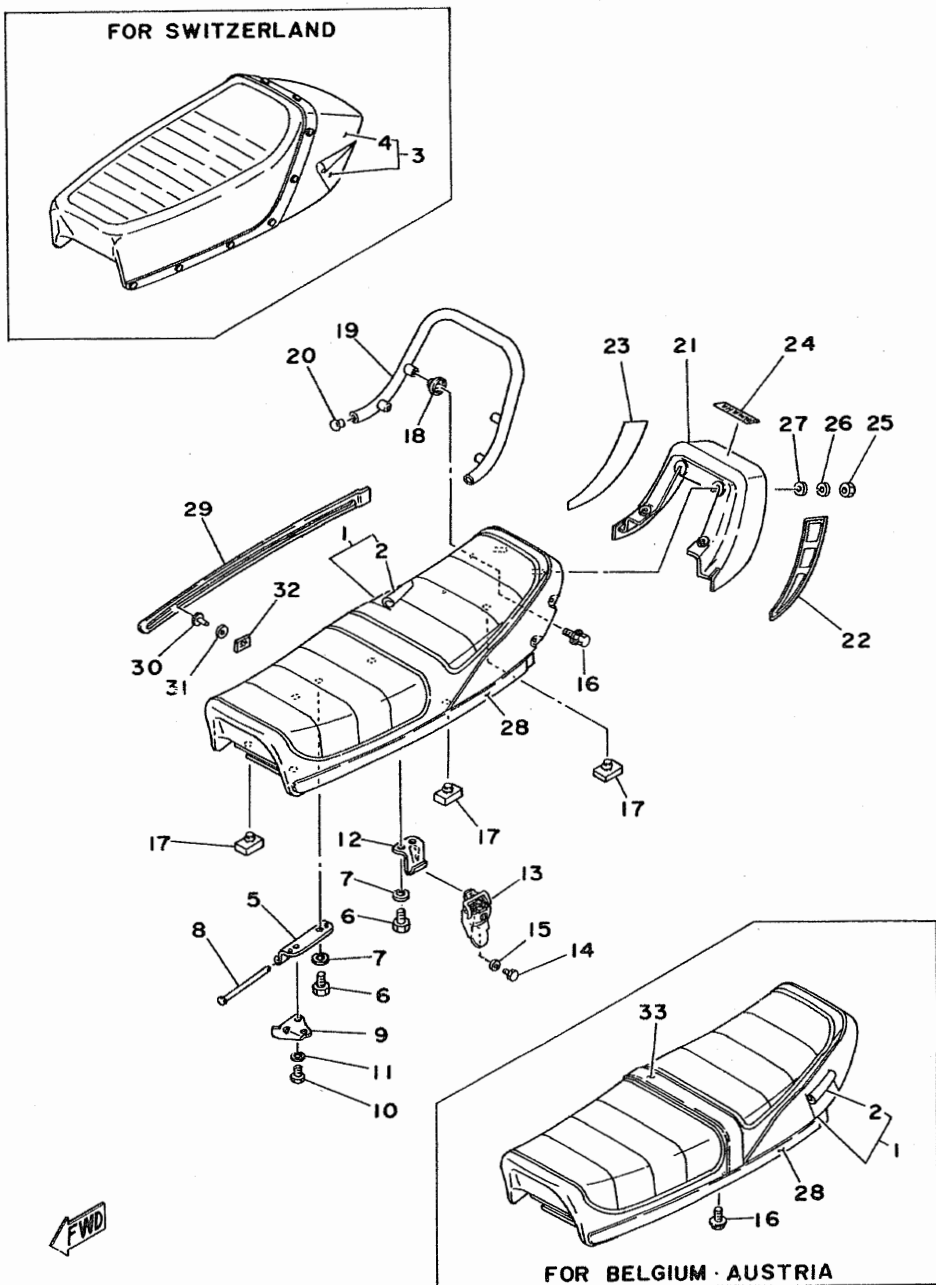
Ref. No.	Part No.	Description	Q'ty	Applicable Machine No.	Remarks
24- 1	353-21751-00	TANK, oil	1		
24- 2	353-21764-00	LENS, level gauge	1		
24- 3	353-21763-00	GASKET, level gauge	1		
24- 4	353-21761-00	GAUGE, level	1		
24- 5	296-21771-62	BODY, cap	1		
24- 6	296-21772-00	GASKET, cap	1		
24- 7	90445-09107	HOSE (353-21766-00 5-380)	1		
24- 8	90467-08003	CLIP (101-24356-00)	2		
24- 9	92501-06015	SCREW, panhead	2		
24-10	90201-06067	WASHER, plate	2		
24-11	353-21778-00	DAMPER, locating	2		
24-12	353-21745-00	HOSE, oil tank breather (4.2-500) 1			

Fig. 25 SEAT



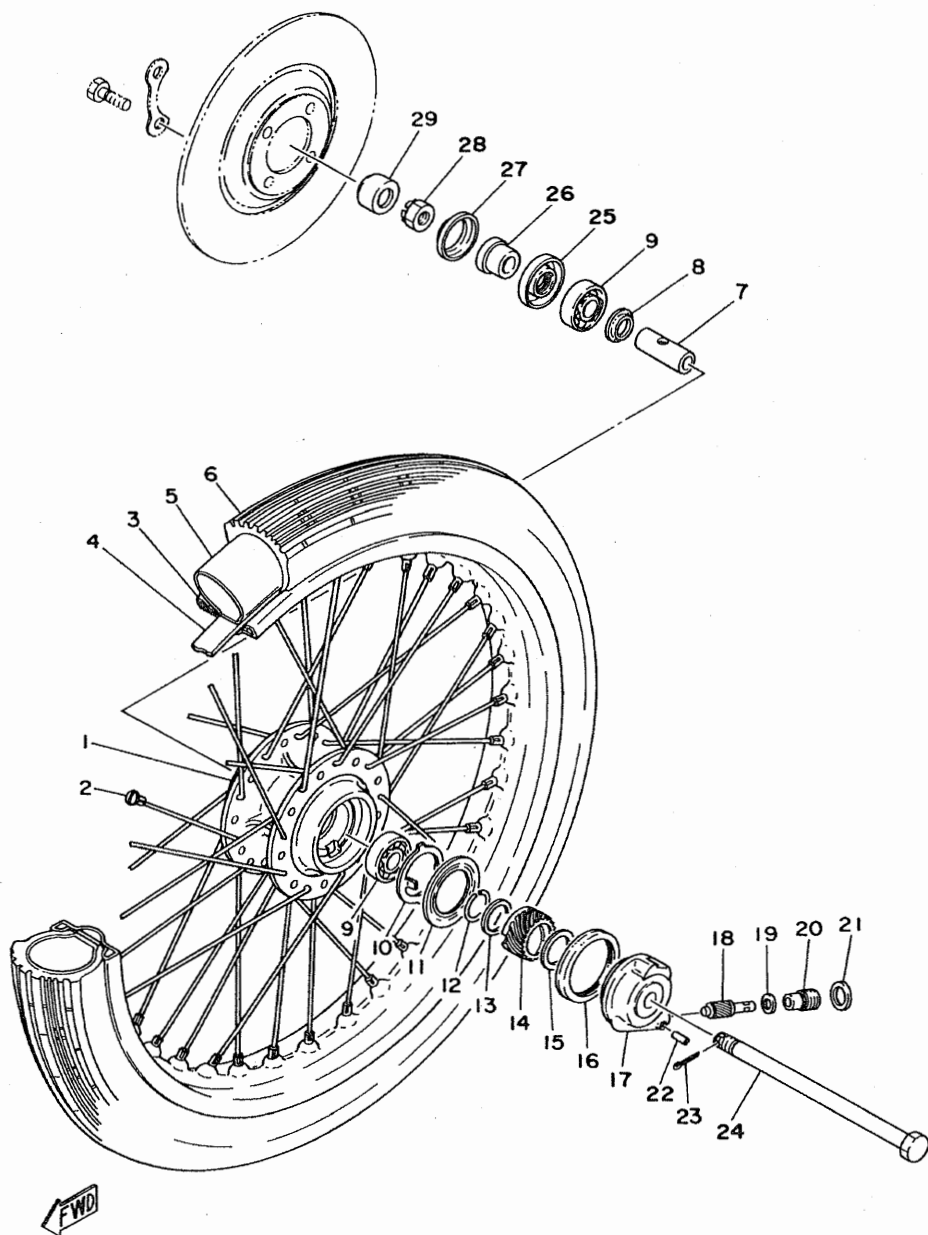
Ref. No.	Part No.	Description	Q'ty	FRANCE	HOLLAND	GERMANY	SWITZERLAND	BELOW	FINLAND	DENMARK	NORWAY	AUSTRIA	ENGLAND	ITALY	Remarks
25- 1	2L4-24730-90	DOUBLE SEAT ASS'Y	1	x											
	2L5-24730-90	DOUBLE SEAT ASS'Y	1				x					x			
25- 2	2L4-24731-00	. COVER, double seat	1	x											
	2L5-24731-00	. COVER, double seat	1				x					x			
25- 3	353-24770-01-E1	SEMI-DOUBLE SEAT ASS'Y	1				x								Chappy Red
	353-24770-01-U2	SEMI-DOUBLE SEAT ASS'Y	1				x								New Portuguese Orange
	353-24770-01-33	SEMI-DOUBLE SEAT ASS'Y	1				x								Yamaha Black
	353-24770-01-75	SEMI-DOUBLE SEAT ASS'Y	1				x								Marine Blue
25- 4	353-24771-00	. COVER, semi-double seat	1				x								
25- 5	353-24726-00	HINGE, seat	1	x	x	x						x			
25- 6	90101-06304	BOLT, hexagon	3	x	x							x			
	97301-06010	BOLT, hexagon	3			x									
25- 7	92901-06100	WASHER, spring	3			x									
25- 8	1K8-24774-00	PIN	1	x	x							x			
	91502-05100	PIN	1			x									
25- 9	353-24768-00	STOPPER, pin	1	x	x	x						x			
25-10	97301-06016	BOLT, hexagon	1	x	x	x						x			
25-11	92901-06100	WASHER, spring	1	x	x	x						x			
25-12	214-24728-00-33	BRACKET, seat	1	x	x	x						x			Yamaha Black
25-13	526-24705-00	SEAT LEVER ASS'Y	1	x	x	x						x			
25-14	97301-06012	BOLT, hexagon	1	x	x	x						x			
25-15	92901-06600	WASHER, plate	1	x	x	x						x			
25-16	90101-08305	BOLT, hexagon	6	x											
	90101-08305	BOLT, hexagon	2			x						x			
25-17	214-24724-00	DAMPER, seat	5	x	x							x			
	214-24724-00	DAMPER, seat	4			x									

Fig. 25 SEAT



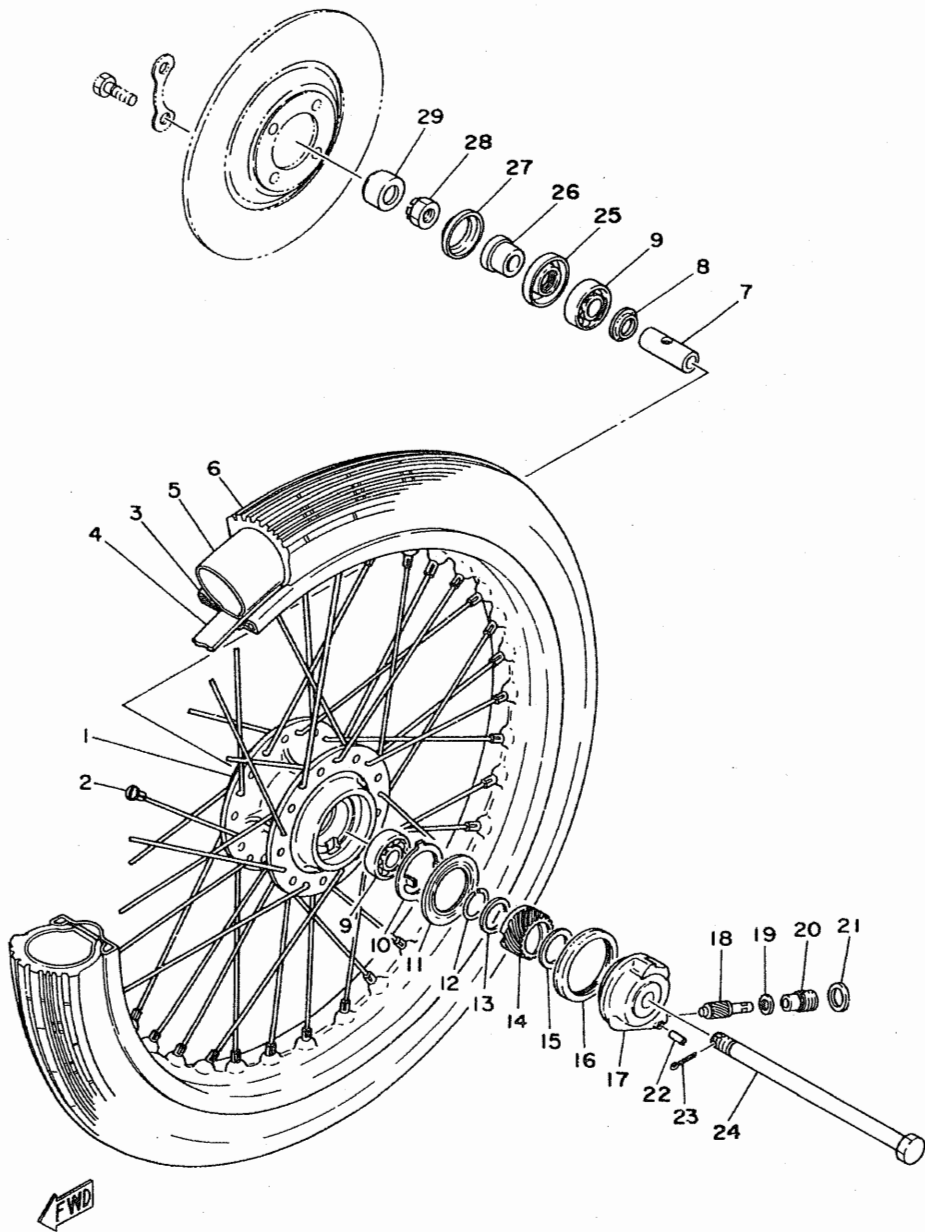
Ref. No.	Part No.	Description	Q'ty	FRANCE	HOLLAND	SWITZERLAND	WEST GERMANY	SWEDEN	FINLAND	DENMARK	NORWAY	AUSTRIA	ENGLAND	ITALY	Remarks
25-18	1T4-24796-00	COVER, seat handle	4			X									
25-19	2L4-24734-00	HANDLE, seat	1			X									
25-20	1J3-24742-00	GROMMET	2			X									
25-21	2L5-24756-00-E1	COVER, tail	1			X	X					X			Chappy Red
	2L5-24756-00-U2	COVER, tail	1			X	X					X			New Portuguese Orange
	2L5-24756-00-33	COVER, tail	1			X	X					X			Yamaha Black
	2L5-24756-00-75	COVER, tail	1			X	X					X			Marine Blue
25-22	2L4-24757-00	GRAPHIC, tail cover	1			X	X					X			
25-23	2L4-24767-00	GRAPHIC, tail cover	1			X	X					X			
25-24	1J7-24786-10	EMBLEM, tail cover	1			X	X	X				X			
25-25	95301-05600	NUT, hexagon	4			X	X					X			
25-26	92901-05100	WASHER, spring	4			X	X					X			
25-27	92901-05600	WASHER, plate	4			X	X					X			
25-28	2L5-24785-00-E1	MOLD, double seat left	1			X	X					X			Chappy Red
	2L5-24785-00-U2	MOLD, double seat left	1			X	X					X			New Portuguese Orange
	2L5-24785-00-33	MOLD, double seat left	1			X	X					X			Yamaha Black
	2L5-24785-00-75	MOLD, double seat left	1			X	X					X			Marine Blue
25-29	2L5-24785-10-E1	MOLD, double seat right	1			X	X					X			Chappy Red
	2L5-24785-10-U2	MOLD, double seat right	1			X	X					X			New Portuguese Orange
	2L5-24785-10-33	MOLD, double seat right	1			X	X					X			Yamaha Black
	2L5-24785-10-75	MOLD, double seat right	1			X	X					X			Marine Blue
25-30	1J7-24789-00	RIVET	4			X	X					X			
25-31	1J7-24722-00	WASHER, special	4			X	X					X			
25-32	1J7-24735-00	SPEED NUT, seat mold	4			X	X					X			
25-33	2L5-24734-00	BAND, seat	1				X					X			

Fig. 26 FRONT WHEEL



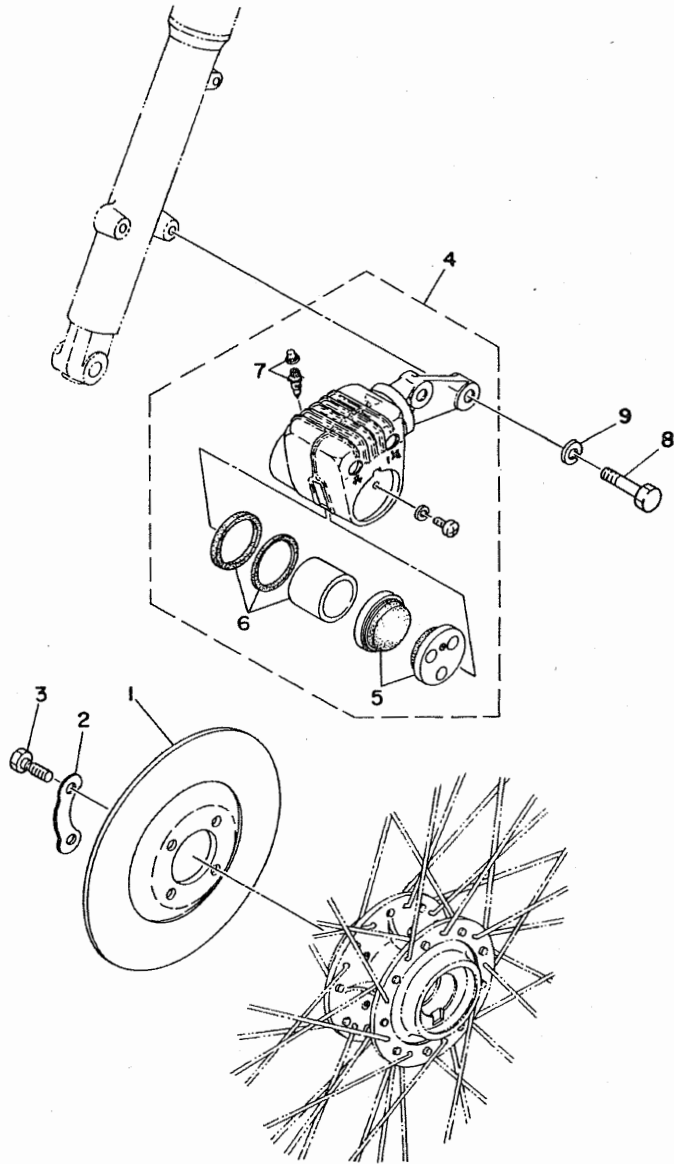
Ref. No.	Part No.	Description	Q'ty	FRANCE	HOLLAND	SWITZERLAND	BELGIUM	SWEDEN	FINLAND	DENMARK	NORWAY	AUSTRIA	ITALY	Remarks
26- 1	390-25111-00	HUB, front	1	x	x	x						x		
26- 2	481-25104-00	SPOKE SET	1s	x	x	x						x		
26- 3	94414-17090	RIM (1.40-17)	1			x	x							
	94416-17149	RIM (1.60-17)	1	x								x		
26- 4	94330-17023	BAND, rim (2.50-17)	1	x	x	x						x		
26- 5	94225-17005	TUBE (2.50-17)	1	x	x	x						x		
26- 6	94125-17011	TIRE, front (2.50-17-4PR)	1			x	x							
	94125-17141	TIRE, front (2.50-17-4PR)	1	x								x		
26- 7	90560-12138	SPACER, bearing (183-25117-00)	1	x	x	x						x		
26- 8	109-25315-00	FLANGE, spacer	1	x	x	x						x		
26- 9	93306-30103	BEARING (B6301Z)	2	x	x	x						x		
26-10	341-25149-00	CLUTCH, meter	1	x	x	x						x		
26-11	341-25846-00	RETAINER, clutch meter	1	x	x	x						x		
26-12	341-25137-00	RING, stop	1	x	x	x						x		
26-13	90201-25286	WASHER, plate (341-25147-00)	1	x	x	x						x		
26-14	481-25135-00	GEAR, drive (27T)	1	x	x	x						x		
26-15	90201-25490	WASHER, plate (152-17226-00)	1	x	x	x						x		
26-16	93105-45017	OIL SEAL (SDD-45-56-6)	1	x	x	x						x		
26-17	390-25191-01	HOUSING, gear unit	1	x	x	x						x		
26-18	481-25138-00	GEAR, meter (11T)	1	x	x	x						x		
26-19	102-18416-00	WASHER (6.2-9.5-0.8)	1	x	x	x						x		
26-20	306-25136-00	BUSHING	1	x	x	x						x		
26-21	92901-12600	WASHER, plate	2	x	x	x						x		
26-22	91609-20014	PIN, spring	1	x	x	x						x		
26-23	91401-30025	PIN, cotter	1	x	x	x						x		
26-24	367-25381-00	SHAFT, wheel	1	x	x	x						x		
26-25	93106-20002	OIL SEAL (DD-20-37-8)	1	x	x	x						x		
26-26	90387-12272	COLLAR	1	x	x	x						x		

Fig. 26 FRONT WHEEL



Ref. No.	Part No.	Description	Qty	FRANCE	HOLLAND	W. GERMANY	SWITZERLAND	BELGIUM	SWEDEN	FINLAND	DENMARK	NORWAY	AUSTRIA	ENGLAND	ITALY	Remarks
26-27	481-25118-01	COVER, hub dust	1	x	x	x								x		
26-28	90171-12005	NUT, castle	1					x	x					x		
	90171-12015	NUT, castle	1			x										
26-29	478-25188-00	COVER, nut	1					x								

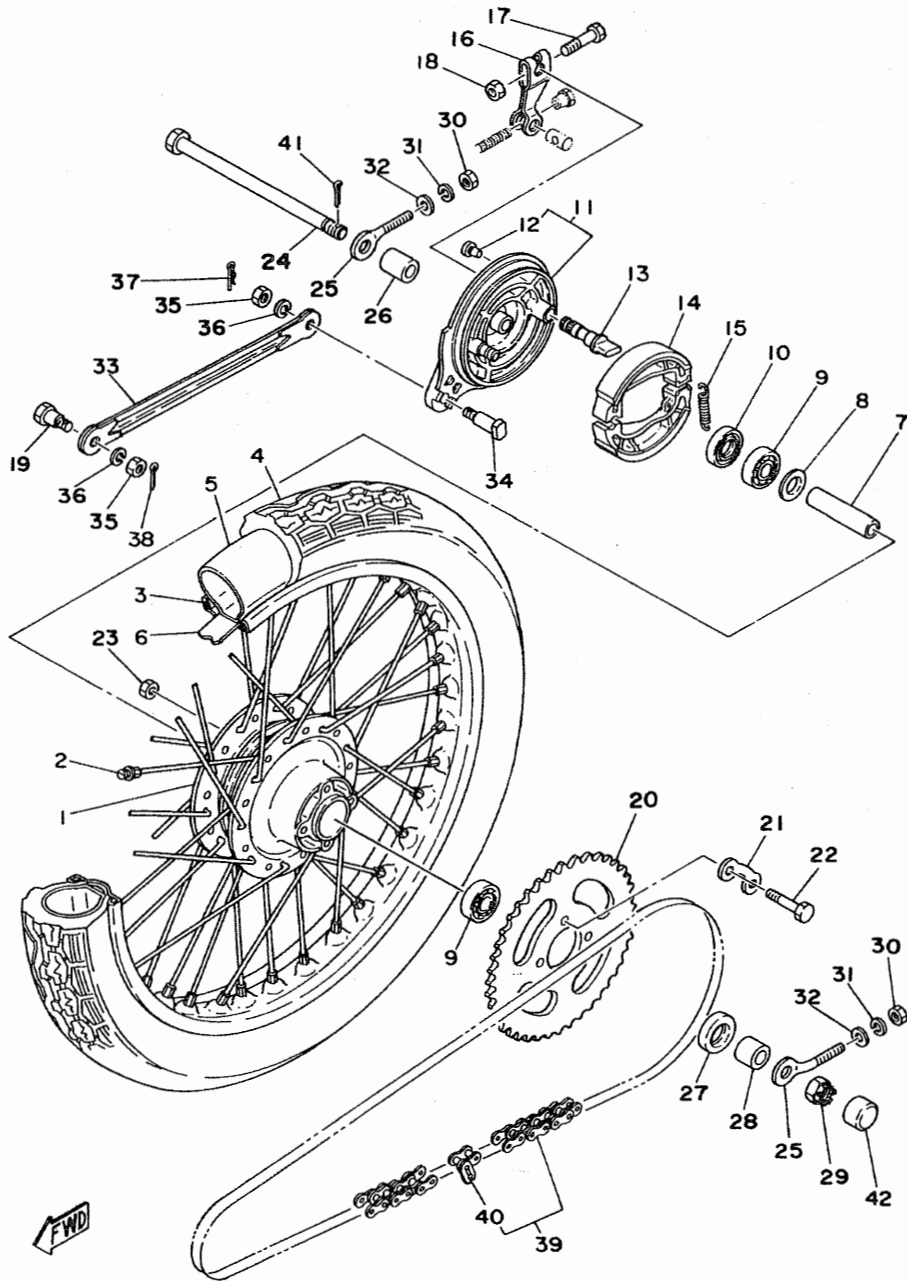
Fig. 27 DISK BRAKE · CALIPER



Ref. No.	Part No.	Description	Q'ty	Applicable Machine No.	Remarks
27- 1	390-25711-00	DISK, brake	1		
27- 2	390-25412-00	WASHER, lock	2		
27- 3	90109-08367	BOLT	4		
27- 4	526-25810-00	CALIPER ASS'Y	1		
27- 5	464-20000-11	PAD LINING ASS'Y	1s		
27- 6	404-20000-20	PISTON SET, caliper	1s		
27- 7	404-20000-30	SCREW BLEED ASS'Y	1s		
27- 8	90101-08244	BOLT, hexagon	2		
27- 9	92901-08100	WASHER, spring	2		

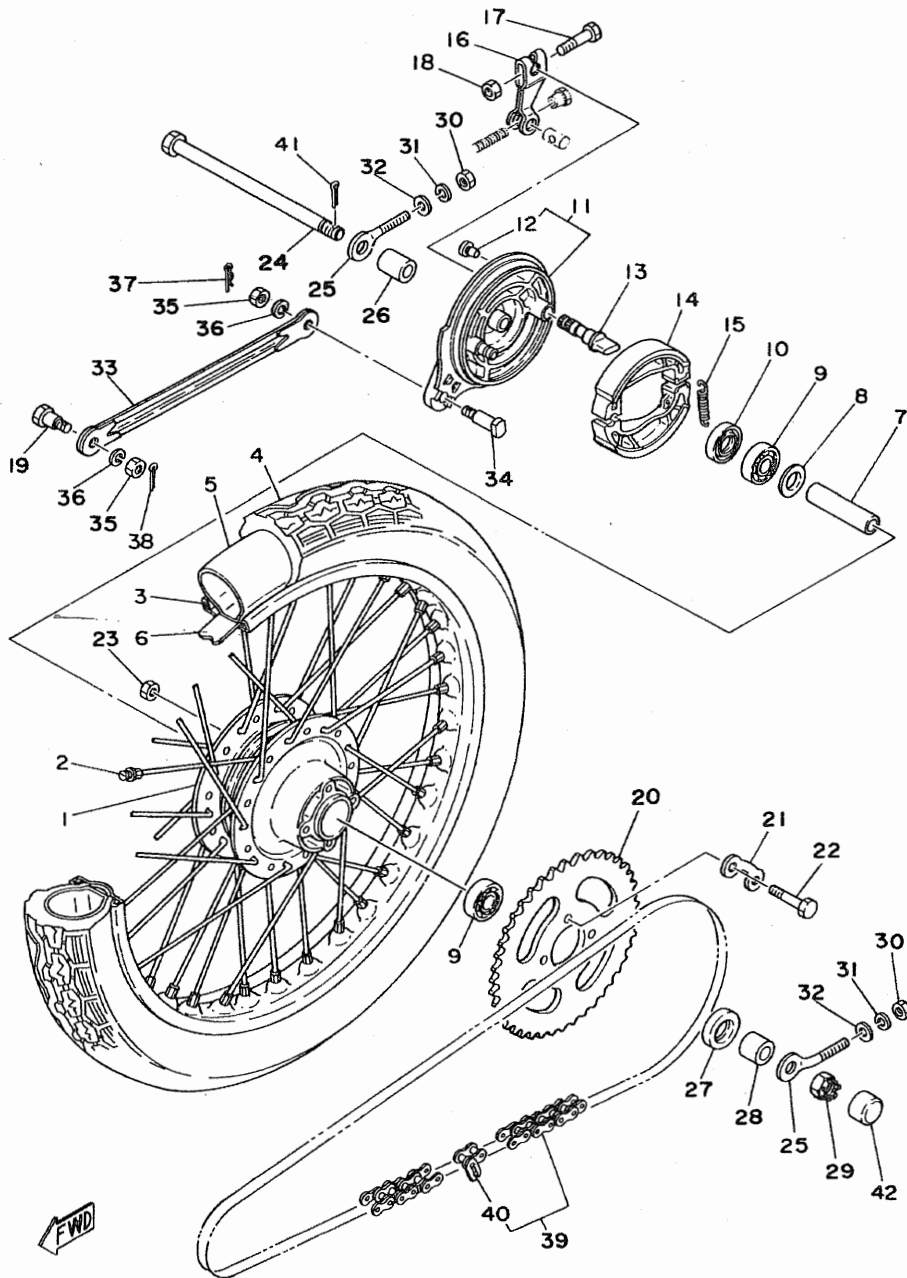
FWD

Fig. 28 REAR WHEEL



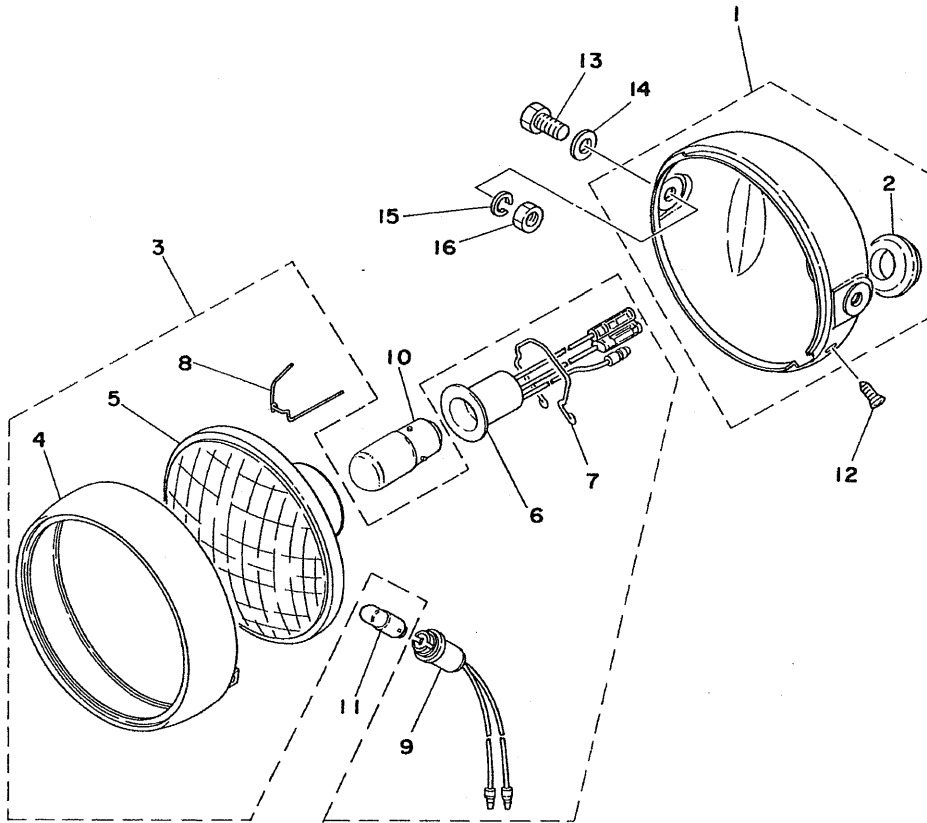
Ref. No.	Part No.	Description	Q'ty	FRANCE	NETHERLANDS	GERMANY	SWITZERLAND	BELEGIUM	FINLAND	DENMARK	NORWAY	AUSTRIA	ENGLAND	ITALY	Remarks
28- 1	462-25311-01-38	HUB, rear	1	x	x	x						x			
28- 2	296-25304-00	SPOKE SET	1s	x	x	x						x			
28- 3	94414-17003	RIM (1.40-17)	1			x	x								
	94416-17096	RIM (1.60-17)	1	x								x			
28- 4	94125-17012	TIRE, rear (2.50-17-4PR)	1			x	x								
	94127-17137	TIRE, rear (2.75-17-6PR)	1	x								x			
28- 5	94225-17005	TUBE (2.50-17)	1			x	x								
	94227-17032	TUBE (2.75-17)	1	x								x			
28- 6	94330-17023	BAND, rim (2.50/2.75-17)	1	x	x	x						x			
28- 7	90560-12170	SPACER, bearing	1	x	x	x						x			
28- 8	102-25315-00	FLANGE, spacer	1	x	x	x						x			
28- 9	93306-30101	BEARING (B6301Z)	2	x	x	x						x			
28-10	93104-21016	OIL SEAL (SO-21-37-7)	1	x	x	x						x			
28-11	355-25320-00-38	BRAKE SHOE PLATE ASS'Y	1	x	x	x						x			
28-12	90480-10068	GROMMET	1	x	x	x						x			
28-13	538-25351-01	CAM SHAFT	1	x	x	x						x			
28-14	326-25330-10	BRAKE SHOE COMP.	2	x	x	x						x			
28-15	90506-16034	SPRING, tension (102-25333-00)	2	x	x	x						x			
28-16	538-25355-00	LEVER, cam shaft	1	x	x	x						x			
28-17	90101-06278	BOLT, hexagon	1	x	x	x						x			
28-18	95301-06600	NUT, hexagon	1			x	x								
	95601-06100	NUT, U	1	x								x			
28-19	90109-08368	BOLT (183-25378-00)	1	x	x	x						x			
28-20	288-25441-10-33	GEAR, sprocket wheel (41T)	1	U.R.	1	x	x	x				x			Yamaha Black STD Yamaha Black
	288-25442-10-33	GEAR, sprocket wheel (42T)													
28-21	101-25412-00	WASHER, lock	2	x	x	x						x			
28-22	90109-08319	BOLT (109-25411-00)	4	x	x	x						x			
28-23	90170-08158	NUT, hexagon	4	x	x	x						x			

Fig. 28 REAR WHEEL



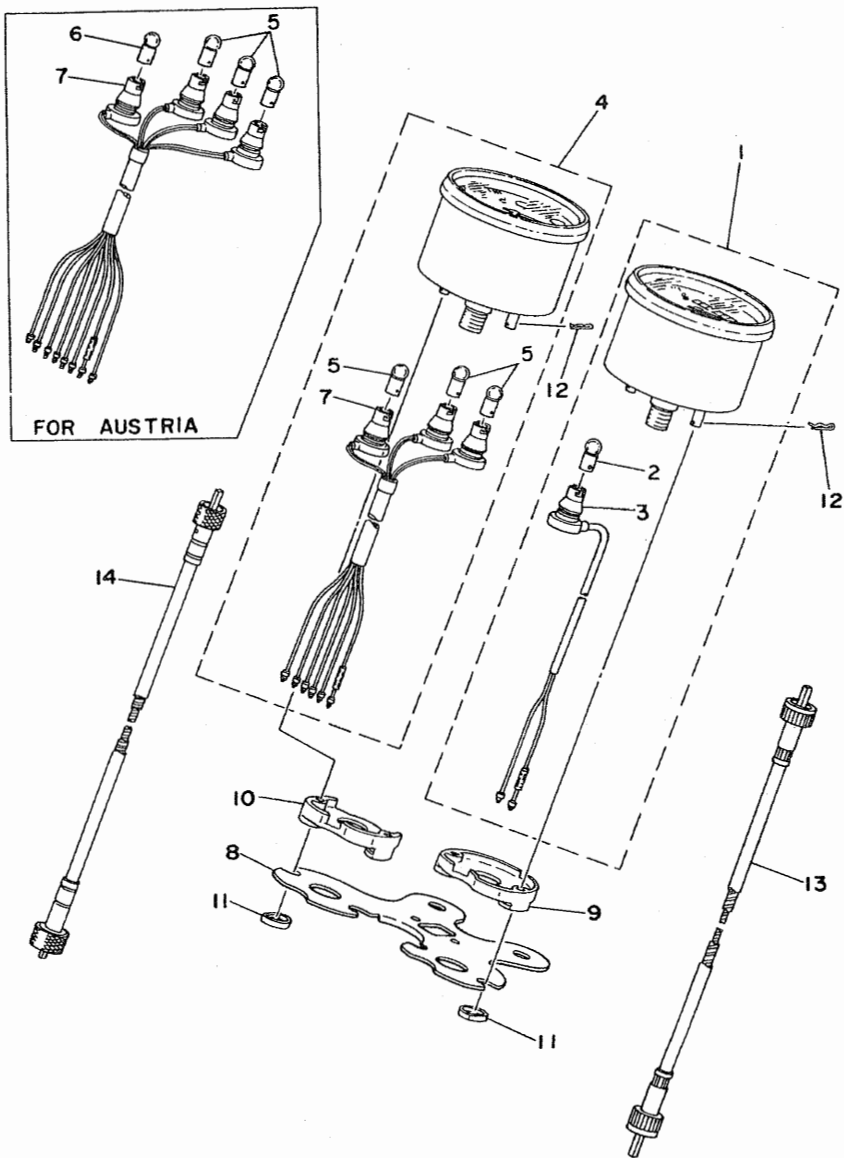
Ref. No.	Part No.	Description	Q'ty	FRANCE	HOLLAND	WEST GERMANY	SWITZERLAND	BELGIUM	FINLAND	DENMARK	NORWAY	AUSTRIA	ENGLAND	ITALY	Remarks
28-24	367-25381-00	SHAFT, rear wheel	1			x	x	x					x		
28-25	102-25389-00	PULLER, chain	2			x	x	x					x		
28-26	90387-12412	COLLAR (102-25383-00)	1			x	x	x					x		
28-27	93106-20002	OIL SEAL (DD-20-37-8)	1			x	x	x					x		
28-28	90387-12096	COLLAR (109-25377-01)	1			x	x	x					x		
28-29	90171-12005	NUT, castle	1					x					x		
	90171-12015	NUT, castle	1			x									
28-30	95301-06600	NUT, hexagon	2			x	x	x					x		
28-31	92901-06100	WASHER, spring	2			x	x	x					x		
28-32	92901-06600	WASHER, plate	2			x	x	x					x		
28-33	353-25371-00	BAR, tension	1			x	x	x					x		
28-34	90109-08183	BOLT (102-25373-00)	1			x	x	x					x		
28-35	95301-08700	NUT, hexagon	2			x	x	x					x		
28-36	92901-08100	WASHER, spring	2			x	x	x					x		
28-37	90468-12007	CLIP (102-25375-00)	1			x	x	x					x		
28-38	91401-20012	PIN, cotter	1			x	x	x					x		
28-39	94580-13100	CHAIN (DID420-100L)	1			x	x	x					x		
28-40	94604-20001	JOINT, chain	1			x	x	x					x		
28-41	91401-30022	PIN, cotter	1			x	x	x					x		
28-42	478-25188-00	COVER, nut	1			x									

Fig. 29 HEAD LAMP



Ref. No.	Part No.	Description	Q'ty	Applicable Machine No.	Remarks
29- 1	353-84130-01-33	HEAD LAMP BODY ASS'Y	1		Yamaha Black
29- 2	214-84153-60	GROMMET	1		
29- 3	541-84103-40	HEAD LAMP UNIT ASS'Y	1		
29- 4	290-84115-21	RIM, head lamp	1		
29- 5	473-84120-40	LENS ASS'Y	1		
29- 6	541-84112-40	SOCKET CORD ASS'Y	1		
29- 7	308-84135-21	SPRING	1		
29- 8	290-84124-21	SPRING, reflector set	3		
29- 9	306-84346-40	SOCKET CORD ASS'Y	1		
29-10	*	BULB (6V-25/25W)	1		
29-11	*	BULB (6V-4W)	1		
29-12	90152-05005	SCREW, rim fitting	1		
29-13	97303-08018	BOLT, hexagon	2		
29-14	92903-08200	WASHER, plain	2		
29-15	92901-08100	WASHER, spring	2		
29-16	95301-08600	NUT, hexagon	2		

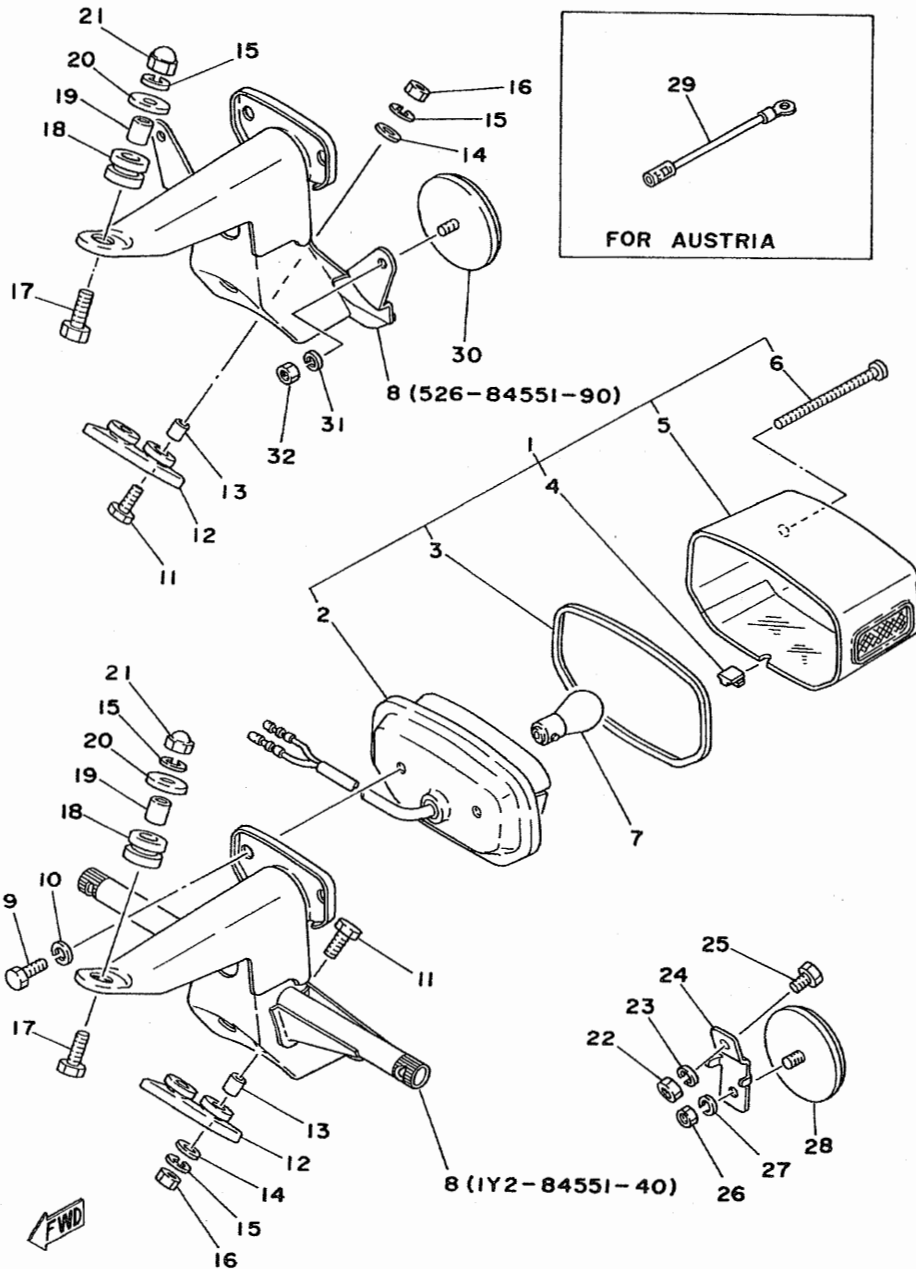
Fig. 30 SPEEDOMETER · TACHOMETER



Ref. No.	Part No.	Description	Q'ty	Applicable Machine No.	Remarks
30- 1	353-83510-11	SPEEDOMETER ASS'Y (Km/H)	1		
30- 2	188-83517-10	. BULB (6V-1.7W)	1		
30- 3	481-83520-50	. SOCKET, meter	1		
30- 4	2E4-83540-00	TACHOMETER ASS'Y	1		
	526-83540-00	TACHOMETER ASS'Y	1		for Austria
30- 5	122-83516-10	. BULB (6V-3W)	3		
30- 6	188-83517-10	. BULB (6V-1.7W)	1		for Austria
30- 7	252-83520-01	. SOCKET ASS'Y	1		
	465-83520-60	. SOCKET ASS'Y	1		for Austria
30- 8	526-83519-00-33	BRACKET, meter	1		Yamaha Black
30- 9	214-83523-00	DAMPER	1		
30-10	237-83523-00	DAMPER	1		
30-11	90209-05029	WASHER (214-83524-00)	4		
30-12	90468-10050	CLIP (156-83525-00)	4		
30-13	481-83550-01	SPEEDOMETER CABLE ASS'Y	} U.R		
	481-83550-10	SPEEDOMETER CABLE ASS'Y		1	
30-14	481-83560-01	TACHOMETER CABLE ASS'Y...	1		

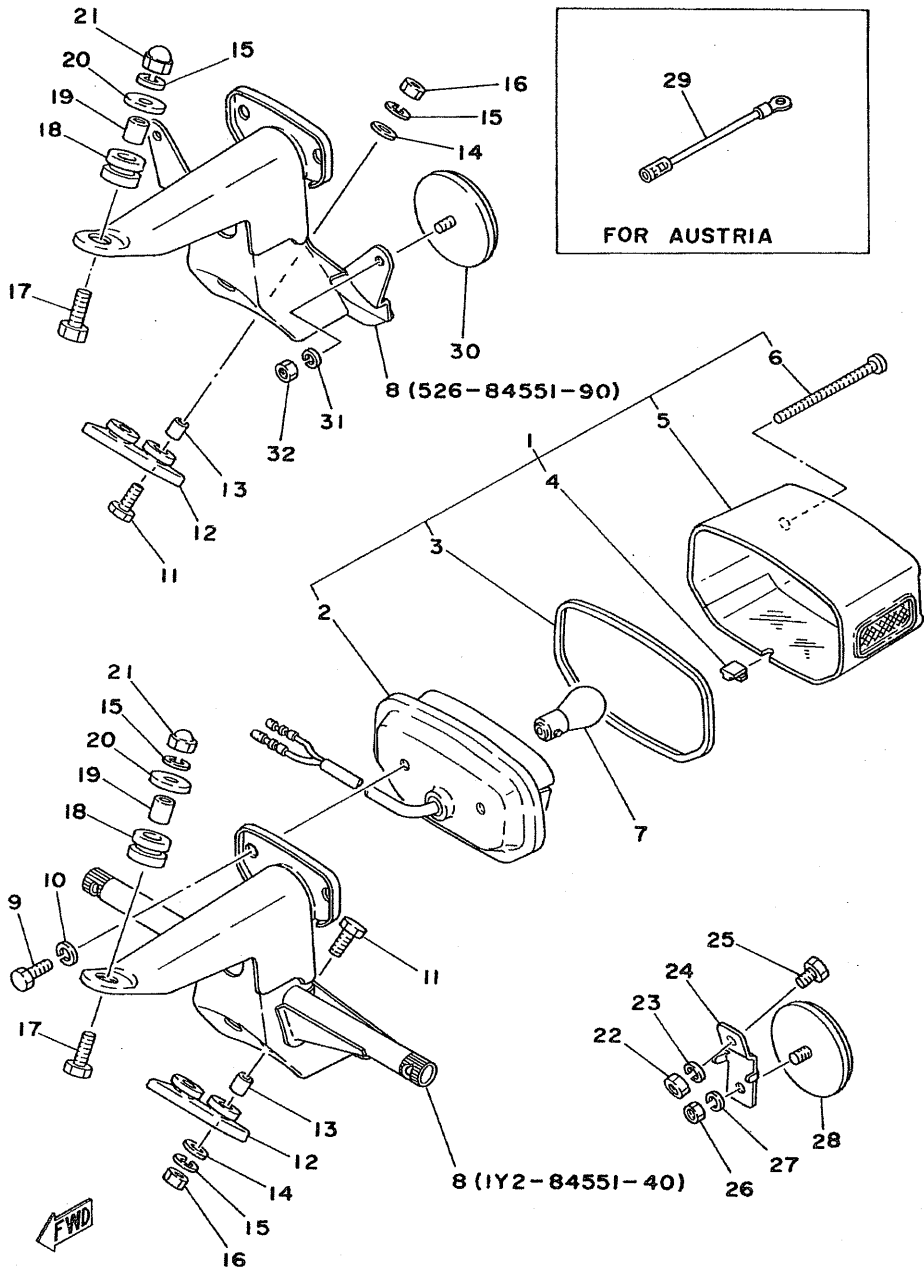
FWD

Fig. 31 TAIL LAMP



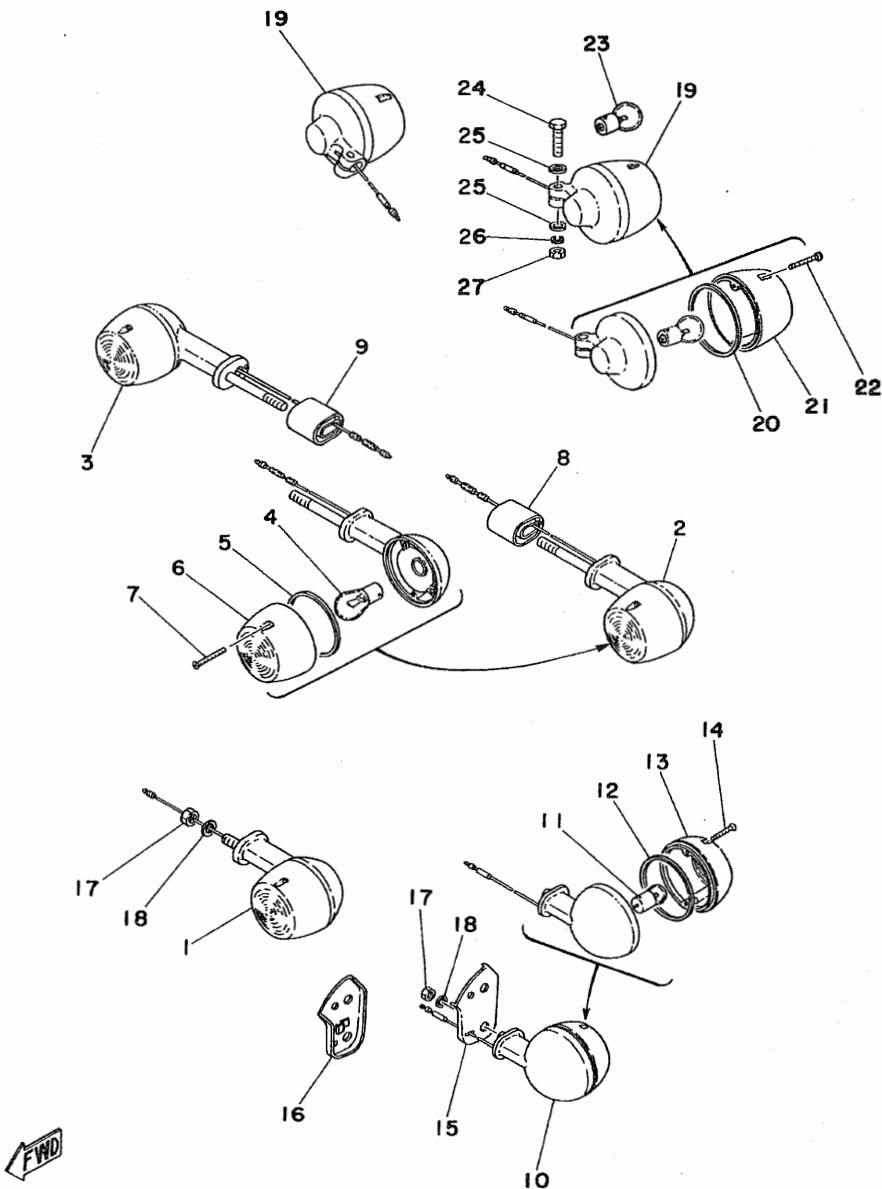
Ref. No.	Part No.	Description	Q'ty	FRANCE	HOLLAND	BELGIUM	SWITZERLAND	WEST GERMANY	FINLAND	DENMARK	ENGLAND	ITALY	REMARKS
31- 1	526-84510-40	TAIL LAMP UNIT ASS'Y	1										
31- 2	526-84711-40	. BASE, tail lamp	1	x	x	x						x	
31- 3	296-84523-00	. GASKET, tail lens	1	x	x	x						x	
31- 4	278-84718-40	. BUSHING	1	x	x	x						x	
31- 5	543-84521-41	. LENS, tail lamp	1	x	x	x						x	
31- 6	127-84524-30	. SCREW, lens fitting	2	x	x	x						x	
31- 7	*	BULB, tail lamp (6V-21/5W)..	1	x	x	x						x	
31- 8	1Y2-84551-40-35	BRACKET, license	1		x	x							Silver
	526-84551-90-35	BRACKET, license	1				x						Silver
31- 9	97303-06012	BOLT, hexagon	2	x	x	x						x	
31-10	92903-06100	WASHER, spring	2	x	x	x						x	
31-11	97301-06025	BOLT, hexagon	2	x	x	x						x	
31-12	214-84553-01	DAMPER	1	x	x	x						x	
31-13	90387-06241	COLLAR (6.2-8.5-10.5)	2	x	x	x						x	
31-14	90201-06067	WASHER, plate	2	x	x	x						x	
31-15	92901-06100	WASHER, spring	3	x	x	x						x	
31-16	95301-06600	NUT, hexagon	2	x	x	x						x	
31-17	97301-06025	BOLT, hexagon	1	x	x	x						x	
31-18	90480-14102	GROMMET (214-21717-00) ...	1	x	x	x						x	
31-19	90387-07390	COLLAR (7-10-11.5)	1	x	x	x						x	
31-20	90209-06095	WASHER (102-28323-00)	1	x	x	x						x	
31-21	95302-06800	NUT, crown	1	x	x	x						x	
31-22	95301-06600	NUT, hexagon	1	x	x	x						x	
31-23	92901-06100	WASHER, spring	1	x	x	x						x	
31-24	1Y2-85132-00	BRACKET 1	1	x	x	x						x	
31-25	97301-06010	BOLT, hexagon	1	x	x	x						x	
31-26	95301-05700	NUT, hexagon	1	x	x	x						x	
31-27	92901-05100	WASHER, spring	1	x	x	x						x	

Fig. 31 TAIL LAMP



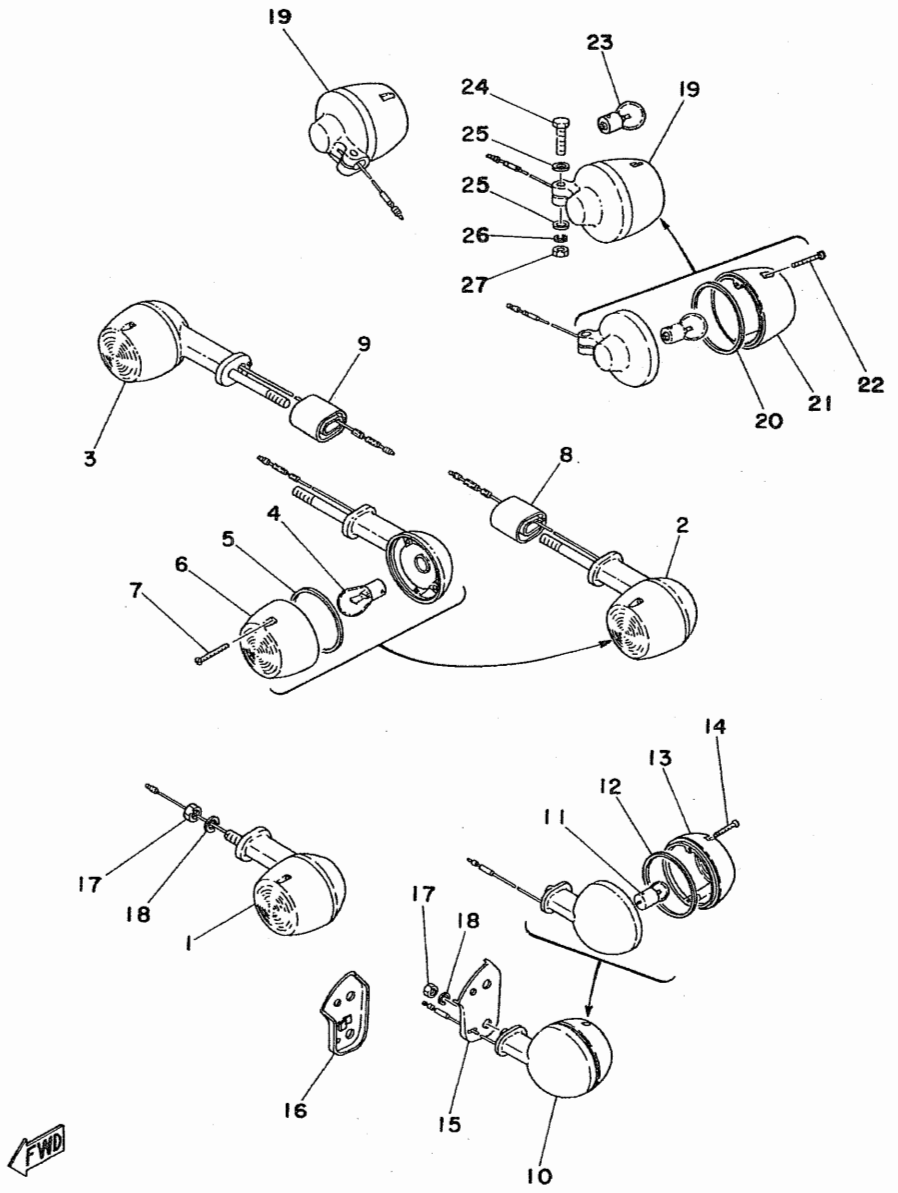
Ref. No.	Part No.	Description	Q'ty	FRANCE	HOLLAND	W. GERMANY	SWITZERLAND	BEIGIUM	SWEDEN	FINLAND	DENMARK	NORWAY	AUSTRIA	ITALY	Remarks
31-28	449-85131-01	REFLECTOR	1			x	x	x					x		
31-29	173-84313-00	WIRE, earth	1											x	
31-30	449-85131-01	REFLECTOR	2					x					x		
31-31	92903-05100	WASHER, spring	2					x					x		
31-32	95303-05600	NUT, hexagon	2					x					x		

Fig. 32 FLASHER LAMP



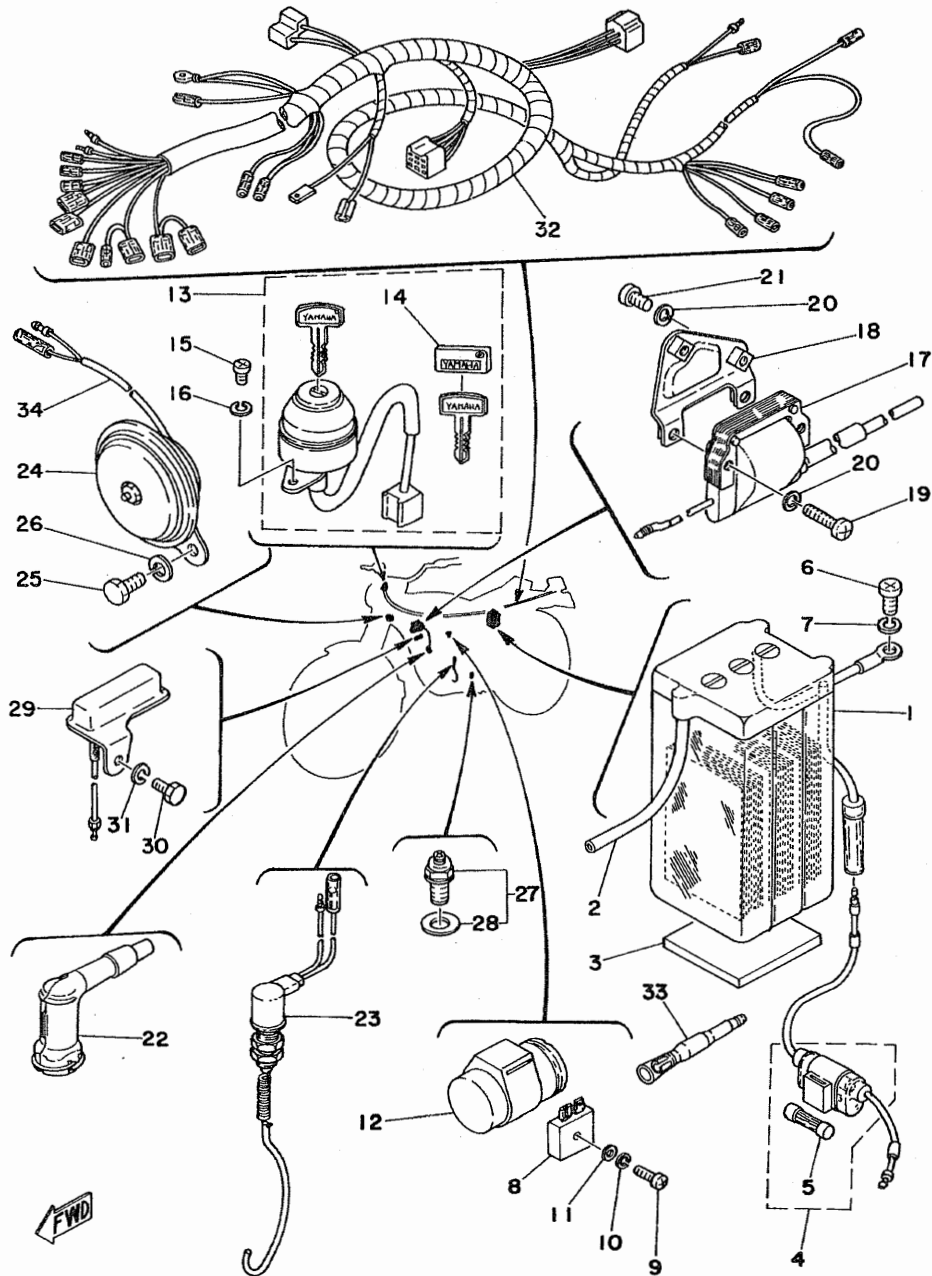
Ref. No.	Part No.	Description	Q'ty	FRANCE	HOLLAND	SWITZERLAND	W. GERMANY	BEELGIUM	SWEDEN	DENMARK	NORWAY	AUSTRIA	ENGLAND	ITALY	Remarks
32- 1	526-83310-50-93	FRONT FLASHER LAMP ASS'Y 2													
	420-83310-30-93	FRONT FLASHER LAMP ASS'Y, left	1					x							
32- 2	353-83310-30-93	FRONT FLASHER LAMP ASS'Y 2						x	x						
32- 3	420-83320-30-93	FRONT FLASHER LAMP ASS'Y, right	1							x					
32- 4	185-83311-10	. BULB, flasher (6V-8W)	2										x		
	*	BULB, flasher (6V-21W)	2			x	x								
32- 5	183-83313-70	. GASKET, flasher lens	2			x	x	x					x		
32- 6	183-83312-20	. LENS, flasher	2										x		
	183-83332-21	. LENS, flasher	2							x					
	183-83312-70	. LENS, flasher	2			x	x								
32- 7	183-83333-71	. SCREW, lens fitting	4			x	x						x		
	183-83333-21	. SCREW, lens fitting	4						x						
32- 8	353-83316-30	COLLAR, flasher 1	1			x	x								
32- 9	353-83326-30	COLLAR, flasher 2	1			x	x								
32-10	376-83330-10-93	REAR FLASHER LAMP ASS'Y 2													
	526-83330-50-93	REAR FLASHER LAMP ASS'Y 2												x	
32-11	185-83311-10	. BULB, flasher (6V-8W)	2										x		
32-12	183-83313-70	. GASKET, flasher lens	2					x					x		
32-13	183-83332-21	. LENS, flasher	2							x					
	183-83312-20	. LENS, flasher	2										x		
32-14	183-83333-21	. SCREW, lens fitting	4											x	
	183-83333-71	. SCREW, lens fitting	4											x	
32-15	353-83368-00	STAY, flasher 3	1						x				x		
32-16	353-83369-00	STAY, flasher 4	1							x			x		
32-17	95301-08600	NUT, hexagon	2			x	x	x					x		
32-18	92901-08100	WASHER, spring	2			x	x	x					x		
32-19	375-83330-30-93	REAR FLASHER LAMP ASS'Y 2												x	

Fig. 32 FLASHER LAMP



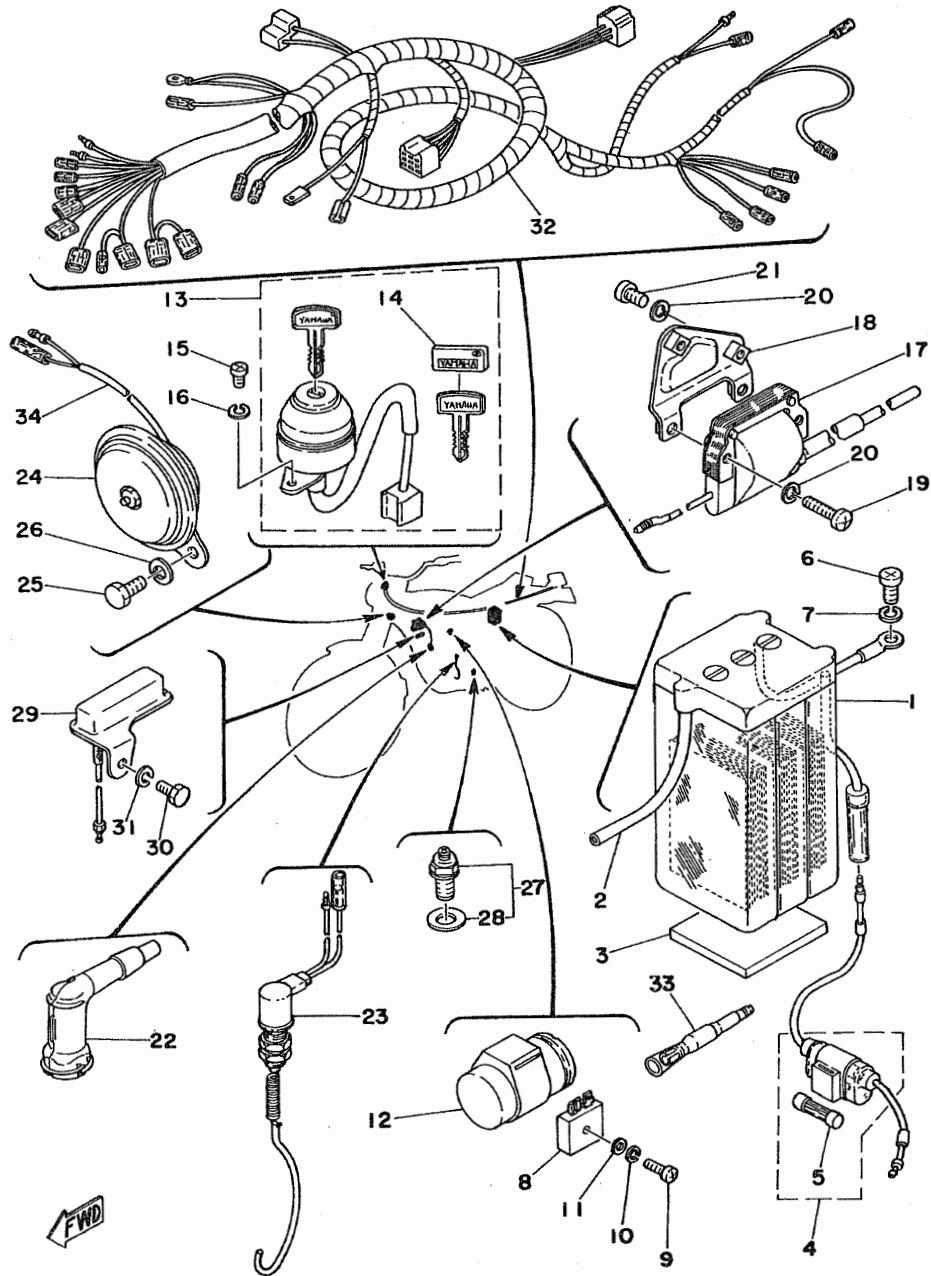
Ref. No.	Part No.	Description	Q'ty	FRANCE	HOLLAND	GERMANY	SWITZERLAND	BEIGIUM	SWEDEN	FINLAND	DENMARK	NORWAY	AUSTRIA	ITALY	Remarks
32-20	306-83313-40	. GASKET, flasher lens	2				x	x							
32-21	306-83332-40	. LENS, flasher	2				x	x							
32-22	183-83333-71	. SCREW, lens fitting	4				x	x							
32-23	*	BULB, flasher (6V-21W)	2				x	x							
32-24	97303-06030	BOLT, hexagon	2				x	x							
32-25	92903-06200	WASHER, plain	4				x	x							
32-26	92903-06100	WASHER, spring	2				x	x							
32-27	95303-06600	NUT, hexagon	2				x	x							

Fig. 33 ELECTRICAL



Ref. No.	Part No.	Description	Q'ty	FRANCE	HOLLAND	WEST GERMANY	SWITZERLAND	BEIJING	FINLAND	DENMARK	NORWAY	AUSTRIA	ENGLAND	ITALY	Remarks
33- 1	104-82110-10	BATTERY ASS'Y (6N4A-4D)	U.R. 1			x	x	x							
	104-82110-21	BATTERY ASS'Y (6N4A-4D)					x	x	x						
33- 2	90445-08047	HOSE (168-82112-00 5-580)...	1			x	x	x							
33- 3	304-82122-00	SEAT, battery	1			x	x	x							
33- 4	353-82150-00	FUSE HOLDER ASS'Y	1			x	x	x							
33- 5	116-82151-00	FUSE (6V-10A)	2			x	x	x							
33- 6	92501-06010	SCREW, panhead	1			x	x	x							
33- 7	92901-06100	WASHER, spring	1			x	x	x							
33- 8	353-81970-63	RECTIFIER ASS'Y	U.R. 1			x	x	x							
	353-81970-50	RECTIFIER ASS'Y					x	x	x						
33- 9	98501-05020	SCREW, panhead	1			x	x	x							
33-10	92901-05100	WASHER, spring	1			x	x	x							
33-11	92901-05600	WASHER, plate	1			x	x	x							
33-12	1K8-83350-10	FLASHER RELAY ASS'Y	1					x							
	2E2-83350-40	FLASHER RELAY ASS'Y	1			x	x								
33-13	526-82508-20	MAIN SWITCH ASS'Y	1					x							
	526-82508-45	MAIN SWITCH ASS'Y	1			x									
33-14	526-82579-00	CAP, key	3			x									
33-15	98501-05012	SCREW, panhead	2			x	x	x							
33-16	92901-05100	WASHER, spring	2			x	x	x							
33-17	336-82310-40	IGNITION COIL ASS'Y	1			x	x	x							
33-18	336-82316-01	BRACKET, ignition coil	1			x	x	x							
33-19	92501-06025	SCREW, panhead	2			x	x	x							
33-20	92901-06100	WASHER, spring	4			x	x	x							
33-21	92501-06012	SCREW, panhead	2			x	x	x							
33-22	808-82370-10	PLUG CAP ASS'Y	1			x	x	x							
33-23	353-82530-01	STOP SWITCH ASS'Y	1			x	x	x							
33-24	393-83371-11	HORN	1			x	x	x							

Fig. 33 ELECTRICAL



Ref. No.	Part No.	Description	Q'ty	FRANCE	HOLLAND	GERMANY	SWITZERLAND	BELOW	SWEDEN	FINLAND	DENMARK	NORWAY	AUSTRIA	ENGLAND	ITALY	Remarks
33-25	97301-06012	BOLT, hexagon	2	x	x	x									x	
33-26	92901-06100	WASHER, spring	2	x	x	x									x	
33-27	341-82540-01	NEUTRAL SWITCH ASS'Y	1	x	x	x									x	
33-28	116-82543-00	GASKET	1	x	x	x									x	
33-29	353-85370-10	RESISTOR ASS'Y	1	x	x	x									x	
33-30	97301-06012	BOLT, hexagon	1	x	x	x									x	
33-31	92901-06100	WASHER, spring	1	x	x	x									x	
33-32	2U1-82590-20	WIRE HARNESS ASS'Y	1	x	x	x									x	
33-33	517-81980-A0	ADJUSTER	1	x	x	x									x	
33-34	447-83373-00	LEAD, horn	1	x	x	x									x	

OPTIONAL PARTS



Fig. 34 REPAIR KIT

Ref. No.	Part No.	Description	Q'ty	Applicable Machine No.	Remarks
34- 1	420-11630-00	PISTON ASS'Y	1s		
34- 2	420-11631-01-97	. PISTON (39.97mm STD)	1		Ref. No. 3-8
34- 3	102-11633-02	. PIN, piston	1		3-10
34- 4	93450-13022	. CLIP (132-11634-00)	2		3-11
34- 5	420-11610-01	. PISTON RING SET	1s		3-12
34- 6	1T0-11650-00	CONNECTING ROD ASS'Y	1s		
34- 7	598-11651-00	. ROD, connecting	1		3-4
34- 8	257-11681-00	. PIN, crank	1		3-5
34- 9	93310-418E3	. BEARING, con-rod big end ...	1		3-6
34-10	90209-18112	. WASHER	2		3-7
34-11	93310-11268	. BEARING, con-rod small end	1		3-9
34-12	2U1-W0001-00	GASKET KIT	1s		
34-13	517-11181-00	. GASKET, cylinder head	1		1-13
34-14	420-11351-00	. GASKET, cylinder	1		1-11
34-15	90430-12038	. GASKET, drain plug	1		1-9
34-16	353-15451-00	. GASKET, crankcase cover ...	1		2-7
34-17	137-15353-00	. GASKET, drain plug (14-21-5)	1		6-14
34-18	304-13621-00	. PACKING, valve seat	2		10-17
34-19	248-13556-70	. GASKET	1		10-21
34-20	304-14184-00	. GASKET, float chamber	1		11-9
34-21	193-14126-00	. PACKING	1		11-16
34-22	132-14613-00	. GASKET, exhaust pipe	1		12-5
34-23	126-13116-00	. GASKET, pump case	1		13-1
34-24	90430-06011	. GASKET, banjo bolt	2		13-28
34-25	90430-04004	. GASKET, breather	1		13-19
34-26	241-14147-00	. O-RING	1		11-36
34-27	93210-21190	. O-RING (2.6-20.6)	1		2-15
34-28	93210-13016	. O-RING (1.8-13.0)	1		9-5
34-29	2E0-W0003-00	OIL SEAL KIT	1s		

Ref. No.	Part No.	Description	Q'ty	Applicable Machine No.	Remarks
34-30	93102-20009	. OIL SEAL (SD-20-35-7)	1		Ref. No. 3-14
34-31	93103-28011	. OIL SEAL (SW-28-40-8)	1		3-15
34-32	93104-11028	. OIL SEAL (SO-10.5-15.0-3.0)	1		4-22
34-33	257-15389-00	. SEAL, push rod	1		5-8
34-34	93102-25017	. OIL SEAL (SD-25-40-5)	1		5-27
34-35	93101-12004	. OIL SEAL (S-12-22-5)	1		7-14
34-36	93109-15001	. OIL SEAL (SDO-15-26-6)	1		8-10
34-37	93101-10001	. OIL SEAL (S-10-21-5)	1		13-6

NUMERICAL INDEX

NUMERICAL INDEX



Ref No.	Part No.	Ref No.	Part No.	Ref No.	Part No.
19- 5	J60-23125-00	31- 8	1Y2-84551-40-35	13- 1	126-13116-00
22- 2	1A0-20000-10	31-24	1Y2-85132-00	11- 4	127-14195-00
18- 4	1A0-21518-00	28-21	101-25412-00	23-20	127-24650-02
22- 6	1A0-25824-01	3-10	102-11633-02	31- 6	127-84524-30
22- 1	1A0-25850-02	5-24	102-18137-00-10	4- 7	131-16321-00
22- 3	1A0-25854-01	26-19	102-18416-00	4- 6	131-16367-00
22- 4	1A0-25855-01	16- 2	102-22123-00	11-27	132-14173-00
22- 5	1A0-25893-01	23-11	102-24522-01	12- 5	132-14613-00
21-17	1A0-83922-00	28- 8	102-25315-00	8-14	132-15664-01
21-19	1A0-83980-30	28-25	102-25389-00	8-12	132-15676-01
25-20	1J3-24742-00	14-14	104-81328-20	4-25	132-16346-00
22- 5	1J3-25852-01	33- 1	104-82110-10	7-10	132-18113-01
22- 3	1J3-25854-01	33- 1	104-82110-21	13-13	137-13137-00-03
22- 4	1J3-25855-01	26- 8	109-25315-00	13-13	137-13137-00-05
22- 7	1J3-25867-00	14-15	110-81345-21	13-13	137-13137-00-10
25-31	1J7-24722-00	14- 8	110-81346-21	13-14	137-13138-01
25-32	1J7-24735-00	14-11	110-81347-21	13- 5	137-13176-00
25-24	1J7-24786-10	14- 6	110-81348-21	11-23	137-14133-00
25-30	1J7-24789-00	14-10	116-81331-20	11-14	137-14136-00
22-13	1K0-25872-03	33- 5	116-82151-00	11- 6	137-14143-15
22-13	1K0-25872-11	33-28	116-82543-00	11- 6	137-14143-16
22-15	1K0-25875-01	8-16	117-15644-00	11- 6	137-14143-17
13-12	1K8-13101-01	16-13	120-27431-00	11- 8	137-14186-01
25- 8	1K8-24774-00	16-14	120-27433-00	6-14	137-15353-00
14- 9	1K8-81325-20	4- 4	122-16164-00	4-14	137-16356-00
14- 2	1K8-81350-20	4-27	122-16164-00	11-29	152-14174-00
33-12	1K8-83350-10	19-23	122-23119-01	11-30	156-14135-00
19-21	1M3-23346-00	19-24	122-23129-00	8- 7	156-15618-01
12- 6	1M3-27114-00	20- 6	122-23411-00	20- 1	156-23411-00
34- 6	1T0-11650-00	20- 4	122-23412-00	20- 3	156-23412-00
25-18	1T4-24796-00	20- 7	122-23416-00	11-13	164-14137-00
19- 6	1T8-23145-00	20-13	122-23441-00	11- 5	164-14141-26
21-12	1V1-26243-00	20-12	122-23442-02	21-29	164-26363-00
22- 2	1Y1-W0041-00	23- 4	122-24181-00	11-12	166-14116-21
22- 1	1Y1-25850-00	23-12	122-24521-00	21-32	168-83936-01
21-35	1Y1-26290-00	23-13	122-24532-00	10-25	170-21746-00
21-34	1Y1-26290-10	23- 6	122-24610-01	31-29	173-84313-00
21-34	1Y1-26290-50	17-15	122-27413-00	11-22	174-14123-00
21-35	1Y1-26290-60	30- 5	122-83516-10	11-21	174-14134-00

NUMERICAL INDEX

Ref No.	Part No.	Ref No.	Part No.	Ref No.	Part No.
17- 8	180-27231-01	23- 3	2L4-24245-00	6-19	214-18531-00
11-33	183-14196-00	25- 1	2L4-24730-90	6- 6	214-18561-00
11-32	183-14197-01	25- 2	2L4-24731-00	25-17	214-24724-00
16- 6	183-22151-00	25-19	2L4-24734-00	25-17	214-24724-00
32- 6	183-83312-20	25-22	2L4-24757-00	25-12	214-24728-00-33
32-13	183-83312-20	25-23	2L4-24767-00	21- 4	214-82910-06
32- 6	183-83312-70	25- 1	2L5-24730-90	21- 5	214-82911-01
32- 5	183-83313-70	25- 2	2L5-24731-00	30- 9	214-83523-00
32-12	183-83313-70	25-33	2L5-24734-00	21- 6	214-83912-00
32- 6	183-83332-21	25-21	2L5-24756-00-E1	29- 2	214-84153-60
32-13	183-83332-21	25-21	2L5-24756-00-U2	31-12	214-84553-01
32- 7	183-83333-21	25-21	2L5-24756-00-33	21- 2	235-26241-10
32-14	183-83333-21	25-21	2L5-24756-00-75	9- 1	237-17861-00
32- 7	183-83333-71	25-28	2L5-24785-00-E1	30-10	237-83523-00
32-14	183-83333-71	25-28	2L5-24785-00-U2	11-36	241-14147-00
32-22	183-83333-71	25-28	2L5-24785-00-33	4-20	241-16341-01
20- 9	185-23435-00-33	25-28	2L5-24785-00-75	13-25	248-13174-00
32- 4	185-83311-10	25-29	2L5-24785-10-E1	10-20	248-13556-70
32-11	185-83311-10	25-29	2L5-24785-10-U2	8-19	248-15668-00
30- 2	188-83517-10	25-29	2L5-24785-10-33	9- 2	248-17837-00
30- 6	188-83517-10	25-29	2L5-24785-10-75	30- 7	252-83520-01
11-19	193-14124-26	15- 8	2M4-14729-00	3- 5	257-11681-00
11-16	193-14126-00	16- 3	2M4-22141-00	13- 3	257-13175-00
11-18	193-14133-00	16-18	2M4-27432-00	5- 8	257-15389-00
11-17	193-14158-00	16-19	2M4-27442-00	4- 8	257-16324-00
4- 2	2A3-16150-00	34-12	2U1-W0001-00	5-19	257-17219-00
4- 1	2A3-16301-00	15- 1	2U1-21110-00-33	5-29	257-17461-11
34-29	2E0-W0003-00	33-32	2U1-82590-20	5-29	257-17461-21
17- 5	2E0-27211-00-91	19-19	205-23111-40	5-29	257-17461-31
14- 1	2E2-81300-20	19-18	207-23112-00	5-29	257-17461-41
33-12	2E2-83350-40	19-16	207-23116-01	5-29	257-17461-51
14-12	2E4-81315-20	19-15	207-23163-00	11- 2	260-14142-20
30- 4	2E4-83540-00	19-12	209-23142-40	19-22	260-23318-40
14- 7	2F5-81321-20	13-27	214-13162-01	21-25	266-26261-00
23- 1	2L4-24110-00-01	9- 6	214-17811-02	11-15	276-14131-00
23- 1	2L4-24110-00-02	9-10	214-17812-00	31- 4	278-84718-40
23- 1	2L4-24110-00-03	9- 4	214-17841-01	15-15	288-21376-00
23- 1	2L4-24110-00-04	9- 8	214-17847-00	28-20	288-25441-10-33
23- 2	2L4-24244-00	7- 7	214-18178-00	28-20	288-25442-10-33

NUMERICAL INDEX

Ref No.	Part No.	Ref No.	Part No.	Ref No.	Part No.
18-17	290-21521-01	26-11	341-25846-00	9- 3	353-17831-00
29- 4	290-84115-21	22-14	341-25881-00	7- 8	353-18101-00
29- 8	290-84124-21	33-27	341-82540-01	7- 9	353-18111-00-93
24- 5	296-21771-62	13- 8	353-13178-00	7- 1	353-18120-00
24- 6	296-21772-00	13-22	353-13552-01	6- 2	353-18141-01
28- 2	296-25304-00	11-28	353-14138-00	6- 8	353-18511-01
31- 3	296-84523-00	11- 3	353-14190-15	6-17	353-18512-01
10-17	304-13565-00	2-16	353-15361-00	6-18	353-18513-01
10-11	304-13610-00	2-14	353-15362-00	6- 1	353-18540-01
10-12	304-13611-00	2- 1	353-15411-00-Y4	6-16	353-18547-00
10-13	304-13613-00	2- 2	353-15415-00-Y4	6-11	353-18562-00
10-14	304-13616-00	2-12	353-15416-00-Y4	15- 1	353-21110-02-33
10-16	304-13621-00	2- 6	353-15421-00-Y4	15- 7	353-21711-00-E1
11-11	304-14112-10	2- 9	353-15437-02	15- 7	353-21711-00-U2
11-24	304-14122-00	2- 7	353-15451-00	15- 7	353-21711-00-33
11-25	304-14171-00	8- 1	353-15611-01-93	15- 7	353-21711-00-75
11- 9	304-14184-00	8-18	353-15641-00	15- 9	353-21717-00
11- 7	304-14185-00	5-23	353-15651-00	24-12	353-21745-00
11-26	304-14261-00	8- 9	353-15660-02	24- 1	353-21751-00
33- 3	304-82122-00	3-17	353-16111-01	24- 4	353-21761-00
26-20	306-25136-00	4- 9	353-16351-00	24- 3	353-21763-00
22-12	306-25862-00	4-17	353-16357-00	24- 2	353-21764-00
21-11	306-26242-10	4- 5	353-16371-00	24-11	353-21778-00
32-20	306-83313-40	4-21	353-16396-00	16- 3	353-22141-02
32-21	306-83332-40	5-18	353-17211-00	16-10	353-22210-20
29- 9	306-84346-40	5- 6	353-17121-10	16- 7	353-22311-01-93
11-20	307-14169-00	5- 5	353-17131-00	19-26	353-23121-91-33
19-17	307-23114-00	5- 5	353-17131-10	19-13	353-23122-90
21-13	307-26281-00	5- 3	353-17141-01	19-27	353-23131-91-33
21-14	307-26282-00	5- 3	353-17141-11	19-14	353-23132-90
29- 7	308-84135-21	5- 7	353-17151-00	19-20	353-23340-91-33
10-21	315-13555-00	5-15	353-17221-00	20-18	353-23480-01
28-14	326-25330-10	5-16	353-17231-00	23- 5	353-24182-00
10- 2	335-14451-00	5-17	353-17241-00	25- 5	353-24726-00
33-17	336-82310-40	5- 1	353-17410-10	25- 9	353-24768-00
33-18	336-82316-01	5- 2	353-17411-10	25- 4	353-24771-00
8- 2	337-15621-01-91	5-10	353-17471-00	25- 3	353-24770-01-E1
26-12	341-25137-00	5-13	353-17251-00	25- 3	353-24770-01-U2
26-10	341-25149-00	9- 7	353-17816-00	25- 3	353-24770-01-33

NUMERICAL INDEX

Ref No.	Part No.	Ref No.	Part No.
25- 3	353-24770-01-75	19- 8	395-23156-00
28-33	353-25371-00	27- 6	404-20000-20
21-27	353-26321-02	27- 7	404-20000-30
17- 1	353-27111-01	22-21	404-25871-01
17- 2	353-27112-00	22-18	404-25876-00
17- 6	353-27212-00	21- 1	416-26111-20
17-14	353-27411-10	1-14	420-11111-00-94
15-14	353-28100-11	1-19	420-11127-00
33- 8	353-81970-50	1-20	420-11128-00
33- 8	353-81970-63	1-21	420-11129-00
33- 4	353-82150-00	1-17	420-11161-00
33-23	353-82530-01	1-18	420-11162-00
32- 2	353-83310-30-93	1-12	420-11311-00
32- 8	353-83316-30	1-11	420-11351-00
32- 9	353-83326-30	3- 1	420-11400-02
32-15	353-83368-00	3- 2	420-11412-00
32-16	353-83369-00	3- 3	420-11422-00
30- 1	353-83510-11	3-12	420-11610-01
29- 1	353-84130-01-33	34- 1	420-11630-00
33-29	353-85370-10	3- 8	420-11631-01-97
23-10	355-24515-00	3- 8	420-11631-01-98
23-18	355-24518-01	11- 1	420-14101-10
23-15	355-24523-00	11-10	420-14181-00
23-16	355-24524-01	10- 1	420-14411-00-33
28-11	355-25320-00-38	10- 3	420-14412-00-93
22-12	360-25862-00	10- 7	420-14453-00
13-15	367-13146-01	12- 1	420-14610-10
7- 2	367-18197-00	12- 2	420-14753-10
23- 9	367-24500-04	1- 1	420-15111-00
26-24	367-25381-00	1- 2	420-15121-02
28-24	367-25381-00	15- 1	420-21110-92-33
32-19	375-83330-30-93	18-18	420-21522-00
32-10	376-83330-10-93	18- 5	420-21610-01-93
26- 1	390-25111-00	15-12	420-21721-00-E1
26-17	390-25191-01	15-12	420-21721-00-U2
27- 2	390-25412-00	15-12	420-21721-00-33
27- 1	390-25711-00	15-12	420-21721-00-75
33-24	393-83371-11	19-20	420-23340-30-33
19- 7	395-23146-00	21-26	420-26312-01
32- 1	420-83310-30-93	32- 1	420-83310-30-93
32- 3	420-83320-30-93	32- 3	420-83320-30-93
19- 9	428-23117-00	19- 9	428-23117-00
19-11	428-23191-00	19-11	428-23191-00
14- 4	437-81312-70	14- 4	437-81312-70
33-34	447-83373-00	33-34	447-83373-00
31-28	449-85131-01	31-28	449-85131-01
31-30	449-85131-01	31-30	449-85131-01
4-24	451-16342-00	4-24	451-16342-00
28- 1	462-25311-01-38	28- 1	462-25311-01-38
27- 5	464-20000-11	27- 5	464-20000-11
30- 7	465-83520-60	30- 7	465-83520-60
29- 5	473-84120-40	29- 5	473-84120-40
26-29	478-25188-00	26-29	478-25188-00
28-42	478-25188-00	28-42	478-25188-00
21- 3	478-83972-01	21- 3	478-83972-01
21- 3	478-83972-21	21- 3	478-83972-21
18- 1	481-21510-02-93	18- 1	481-21510-02-93
19- 1	481-23101-00	19- 1	481-23101-00
19- 4	481-23124-00	19- 4	481-23124-00
19- 2	481-23126-09	19- 2	481-23126-09
19- 3	481-23136-09	19- 3	481-23136-09
19-10	481-23141-00	19-10	481-23141-00
26- 2	481-25104-00	26- 2	481-25104-00
26-27	481-25118-01	26-27	481-25118-01
26-14	481-25135-00	26-14	481-25135-00
26-18	481-25138-00	26-18	481-25138-00
21- 1	481-26111-00	21- 1	481-26111-00
21-24	481-26311-00	21-24	481-26311-00
21-28	481-26335-00	21-28	481-26335-00
30- 3	481-83520-50	30- 3	481-83520-50
30-13	481-83550-01	30-13	481-83550-01
30-13	481-83550-10	30-13	481-83550-10
30-14	481-83560-01	30-14	481-83560-01
1-23	492-15387-00	1-23	492-15387-00
1-13	517-11181-00	1-13	517-11181-00
33-33	517-81980-A0	33-33	517-81980-A0
14- 3	520-81309-20	14- 3	520-81309-20
14- 5	520-81313-20	14- 5	520-81313-20

NUMERICAL INDEX

Ref No.	Part No.	Ref No.	Part No.
18- 5	526-21610-00-93	28-19	90109-08368
16- 1	526-22110-00-33	6-13	90109-14485
16- 1	526-22110-10-33	4-19	90113-06013
19- 1	526-23101-30	1-10	90116-06026
19-26	526-23121-30-33	12- 7	90116-08166
25-13	526-24705-00	4-10	90119-05001
27- 4	526-25810-00	20-14	90119-06017
33-13	526-82508-20	21-30	90123-08046
33-13	526-82508-45	21-21	90146-06008
33-14	526-82579-00	7- 5	90149-08094
32- 1	526-83310-50-93	22- 6	90151-05008
32-10	526-83330-50-93	29-12	90152-05005
30- 8	526-83519-00-33	21-22	90170-06010
30- 4	526-83540-00	28-23	90170-08158
31- 1	526-84510-40	4-13	90170-12060
31- 8	526-84551-90-35	3-22	90170-12175
31- 2	526-84711-40	26-28	90171-12005
28-13	538-25351-01	28-29	90171-12005
28-16	538-25355-00	26-28	90171-12015
29- 3	541-84103-40	28-29	90171-12015
29- 6	541-84112-40	17-13	90179-06176
31- 5	543-84521-41	21-31	90179-08148
3- 4	598-11651-00	5-31	90179-12181
5-12	598-17421-00	3-19	90179-12244
23-14	603-24531-01	20- 8	90179-25051
33-22	808-82370-10	24-10	90201-06067
28-17	90101-06278	31-14	90201-06067
25- 6	90101-06304	10-24	90201-08544
27- 8	90101-08244	13- 2	90201-08624
18- 2	90101-08281	22-11	90201-10118
15- 6	90101-08284	13- 7	90201-10135
25-16	90101-08305	13- 9	90201-10135
17-16	90101-08412	3-24	90201-12535
20-10	90105-10006	7-13	90201-12575
21- 7	90109-06410	16-12	90201-12190
21-18	90109-06465	5-21	90201-13202
28-34	90109-08183	8- 6	90201-15340
28-22	90109-08319	16-15	90201-20279
27- 3	90109-08367	26-13	90201-25286
26-15	90201-25490	26-15	90201-25490
5-22	90206-15021	5-22	90206-15021
3-20	90208-12015	3-20	90208-12015
4-12	90208-12015	4-12	90208-12015
30-11	90209-05029	30-11	90209-05029
31-20	90209-06095	31-20	90209-06095
20-11	90209-10021	20-11	90209-10021
3- 7	90209-18112	3- 7	90209-18112
5-30	90215-13019	5-30	90215-13019
16-16	90240-06042	16-16	90240-06042
17-12	90249-12008	17-12	90249-12008
3-21	90280-03017	3-21	90280-03017
3-18	90282-05005	3-18	90282-05005
6-21	90334-12009	6-21	90334-12009
21-33	90338-07011	21-33	90338-07011
18-12	90338-07043	18-12	90338-07043
19-25	90338-16061	19-25	90338-16061
1- 8	90340-12005	1- 8	90340-12005
9-12	90381-08002	9-12	90381-08002
9- 9	90383-10005	9- 9	90383-10005
31-13	90387-06241	31-13	90387-06241
31-19	90387-07390	31-19	90387-07390
28-28	90387-12096	28-28	90387-12096
26-26	90387-12272	26-26	90387-12272
28-26	90387-12412	28-26	90387-12412
5-28	90387-17137	5-28	90387-17137
3-16	90387-20170	3-16	90387-20170
21-16	90387-22585	21-16	90387-22585
13-29	90401-06001	13-29	90401-06001
22-10	90401-10034	22-10	90401-10034
13-19	90430-04004	13-19	90430-04004
13-28	90430-06011	13-28	90430-06011
1- 9	90430-12038	1- 9	90430-12038
13-24	90445-05217	13-24	90445-05217
33- 2	90445-08047	33- 2	90445-08047
23- 7	90445-09079	23- 7	90445-09079
24- 7	90445-09107	24- 7	90445-09107
10- 8	90460-49058	10- 8	90460-49058
23- 8	90467-08003	23- 8	90467-08003

NUMERICAL INDEX

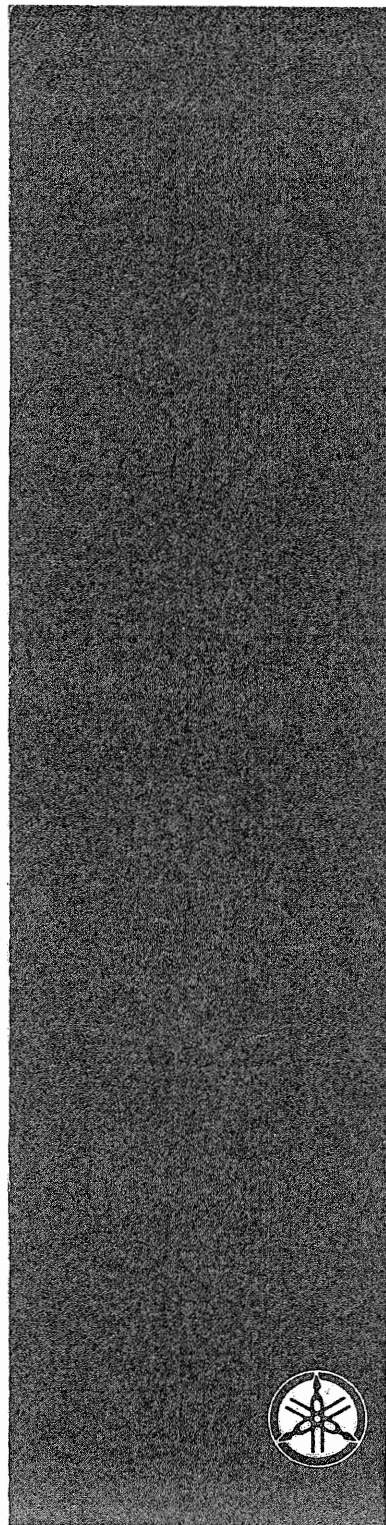
Ref No.	Part No.	Ref No.	Part No.	Ref No.	Part No.
24- 8	90467-08003	1- 3	91830-22016	28-31	92901-06100
13-23	90468-02033	33- 6	92501-06010	31-15	92901-06100
13-26	90468-02033	5-11	92501-06012	31-23	92901-06100
30-12	90468-10050	15-16	92501-06012	33- 7	92901-06100
28-37	90468-12007	22-16	92501-06012	33-20	92901-06100
8-17	90468-26038	33-21	92501-06012	33-26	92901-06100
28-12	90480-10068	4-23	92501-06015	33-31	92901-06100
18-16	90480-12013	10- 9	92501-06015	1-16	92901-06200
31-18	90480-14102	15-11	92501-06015	10-10	92901-06200
12-10	90480-14153	24- 9	92501-06015	15-10	92901-06600
14-13	90480-16110	2- 3	92501-06020	17- 9	92901-06600
13-21	90501-02217	1- 6	92501-06025	18-11	92901-06600
6-15	90501-09292	2-13	92501-06025	18-14	92901-06600
17-11	90501-10245	33-19	92501-06025	25-15	92901-06600
21-23	90501-10312	2- 5	92501-06030	28-32	92901-06600
8- 4	90501-12081	2-11	92501-06030	10- 5	92901-08100
4-11	90501-20125	2-10	92501-06040	10-23	92901-08100
4-26	90506-07066	2- 4	92501-06045	12- 8	92901-08100
28-15	90506-16034	1- 4	92501-06050	15- 4	92901-08100
17- 4	90506-28100	1- 5	92501-06055	17-17	92901-08100
8-13	90508-26136	6-12	92701-06012	18- 3	92901-08100
7- 3	90508-32054	11-35	92901-04100	18- 7	92901-08100
17- 7	90508-32056	12- 4	92901-05100	27- 9	92901-08100
26- 7	90560-12138	13-17	92901-05100	28-36	92901-08100
28- 7	90560-12170	16- 9	92901-05100	29-15	92901-08100
4-15	90560-17123	25-26	92901-05100	32-18	92901-08100
10-22	91316-08030	33-10	92901-05100	10- 6	92901-08200
16-17	91401-16012	31-27	92901-05100	18- 8	92901-08600
11-31	91401-16015	33-16	92901-05100	16-21	92901-10100
17-10	91401-20012	25-27	92901-05600	20-16	92901-10100
28-38	91401-20012	33-11	92901-05600	16- 5	92901-10600
6-10	91401-25017	10-19	92901-06100	20-17	92901-10600
28-41	91401-30022	18-10	92901-06100	3-23	92901-12100
26-23	91401-30025	21- 9	92901-06100	26-21	92901-12600
25- 7	91502-05100	22- 9	92901-06100	31-31	92903-05100
26-22	91609-20014	22-17	92901-06100	18-20	92903-05600
16-16	91701-06032	22-20	92901-06100	31-10	92903-06100
1- 7	91830-21014	25- 7	92901-06100	32-26	92903-06100
2- 8	91830-21014	25-11	92901-06100	32-25	92903-06200

NUMERICAL INDEX

Ref No.	Part No.	Ref No.	Part No.	Ref No.	Part No.
29-14	92903-08200	13-20	93505-32002	20-15	95301-10600
13- 6	93101-10001	8- 3	93507-32009	31-21	95302-06800
7-14	93101-12004	13- 4	93603-22028	31-32	95303-05600
3-14	93102-20009	6- 3	93604-08071	32-27	95303-06600
5-27	93102-25017	6- 5	93604-10011	10- 4	95303-08800
3-15	93103-28011	6- 9	93606-14081	16-11	95304-12800
4-22	93104-11028	26- 6	94125-17011	21-10	95601-06100
28-10	93104-21016	28- 4	94125-17012	21-20	95601-06100
26-16	93105-45017	26- 6	94125-17141	28-18	95601-06100
26-25	93106-20002	28- 4	94127-17137	16- 4	95601-10100
28-27	93106-20002	26- 5	94225-17005	15- 3	95701-08100
8-10	93109-15001	28- 5	94225-17005	15- 5	95821-08090
9- 5	93210-13016	28- 5	94227-17032	15- 2	95821-08120
2-15	93210-21190	26- 4	94330-17023	9-11	97301-06010
4- 3	93210-98202	28- 6	94330-17023	25- 6	97301-06010
5- 9	93306-20303	28- 3	94414-17003	31-25	97301-06010
3-13	93306-20418	26- 3	94414-17090	18-13	97301-06012
28- 9	93306-30101	28- 3	94416-17096	25-14	97301-06012
26- 9	93306-30103	26- 3	94416-17149	33-25	97301-06012
5-26	93306-30305	28-39	94580-13100	33-30	97301-06012
3- 9	93310-11268	28-40	94604-20001	18- 9	97301-06016
3- 6	93310-418E3	1-22	94701-00041	25-10	97301-06016
5-25	93410-12003	13-16	95301-05600	21- 8	97301-06022
5-20	93410-13004	23-19	95301-05600	10-18	97301-06025
8-11	93410-15005	25-25	95301-05600	22-19	97301-06025
8-15	93410-25017	31-26	95301-05700	31-11	97301-06025
6-20	93430-10016	1-15	95301-06600	31-17	97301-06025
7- 4	93430-10016	18-15	95301-06600	18- 6	97301-08040
7-12	93430-10016	28-18	95301-06600	16-20	97301-10020
8- 5	93430-10016	28-30	95301-06600	31- 9	97303-06012
13-10	93430-08006	31-16	95301-06600	32-24	97303-06030
17- 3	93430-12008	31-22	95301-06600	29-13	97303-08018
6- 4	93440-12026	4-18	95301-06700	8- 8	97311-06025
5- 4	93440-16030	7- 6	95301-08600	7-11	97321-06020
5-14	93440-16030	12- 9	95301-08600	22- 8	97321-06025
3-11	93450-13022	29-16	95301-08600	10-15	97602-03108
20- 2	93501-04011	32-17	95301-08600	16- 8	98501-05008
4-16	93503-16010	28-35	95301-08700	12- 3	98501-05010
20- 5	93503-16010	16- 4	95301-10600	33-15	98501-05012

NUMERICAL INDEX

Ref No.	Part No.	Ref No.	Part No.	Ref No.	Part No.
13-11	98501-05016				
21-15	98501-05016				
33- 9	98501-05020				
23-17	98501-05030				
11-34	98502-04014				
18-19	98503-05010				
6- 7	98701-05012				
14-16	98701-05015				
13-18	98901-04008				



YAMAHA MOTOR CO., LTD

PRINTED IN JAPAN
 First edition Feb., 197
 (2U1-28198-E5)